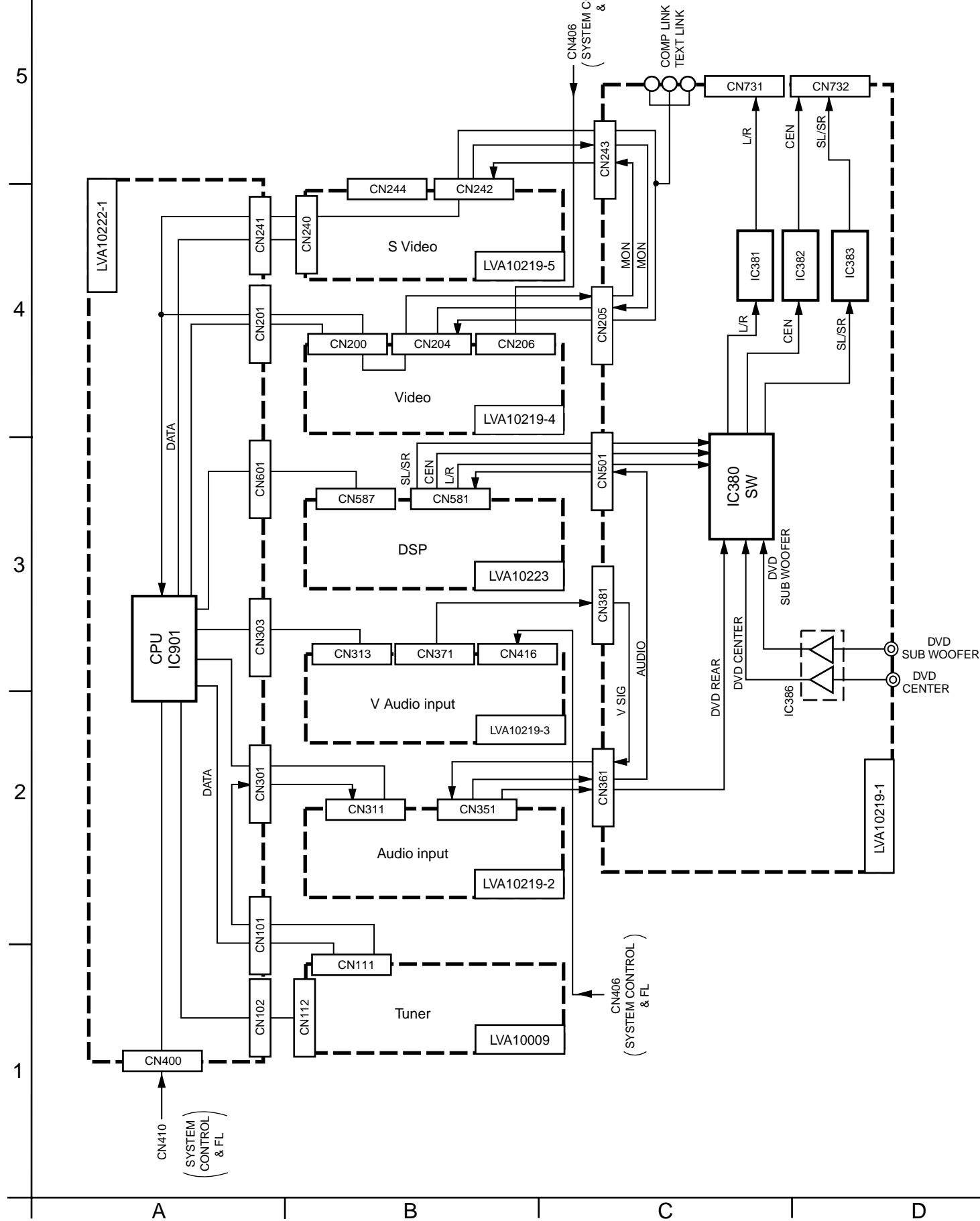
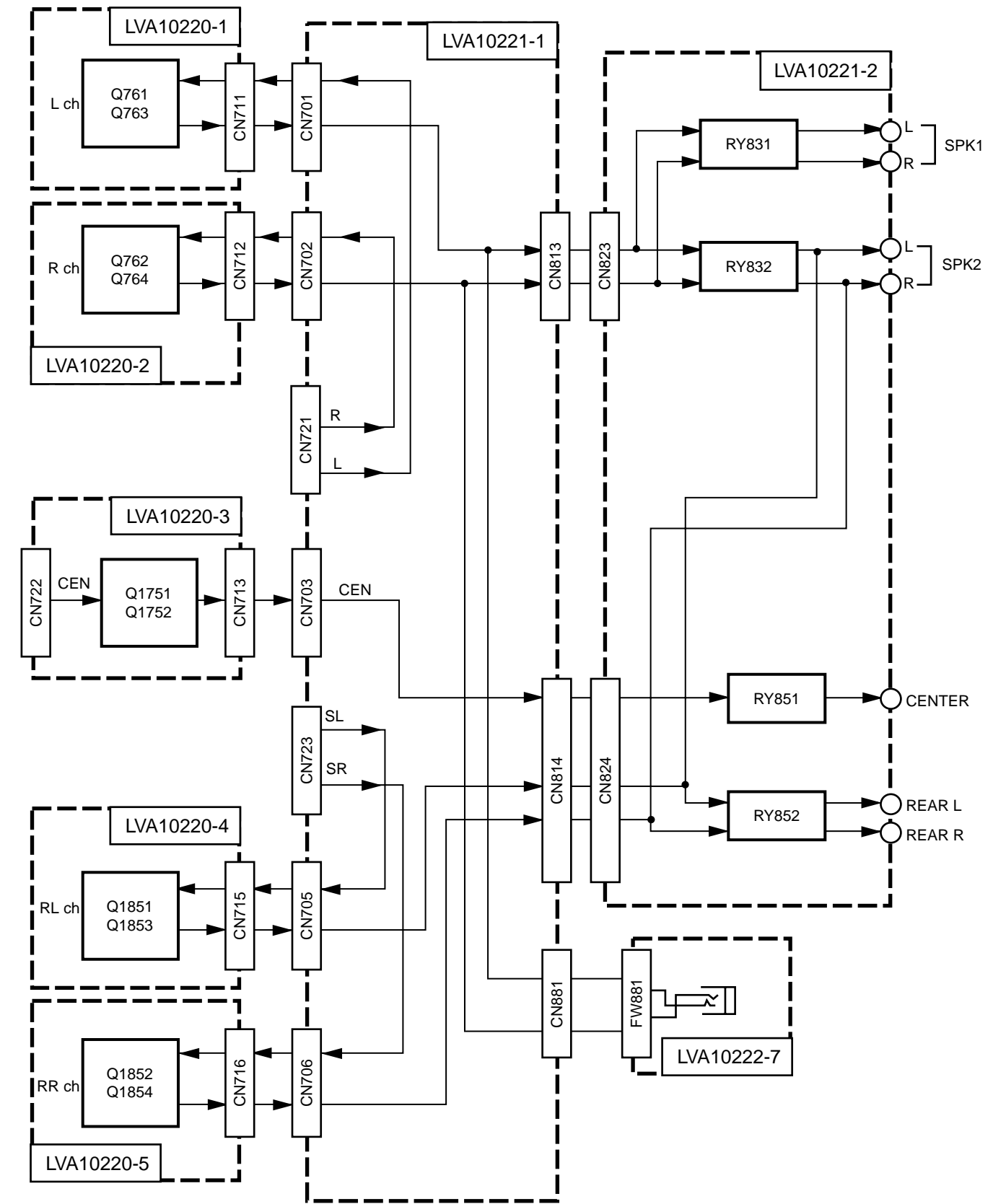


Block diagrams

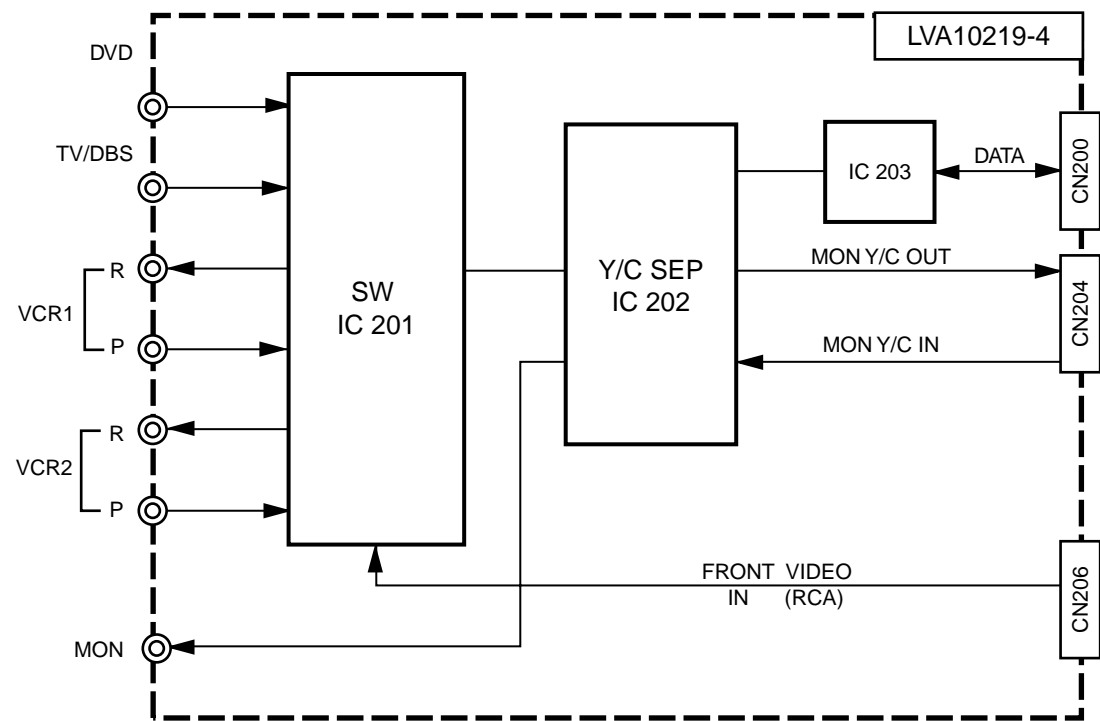
■ Signal I/O block section



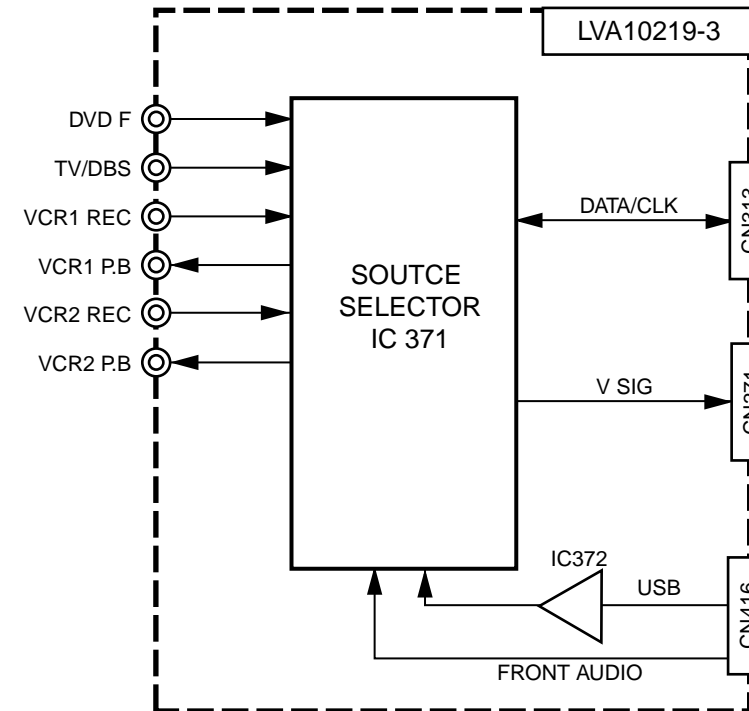
■ Main section



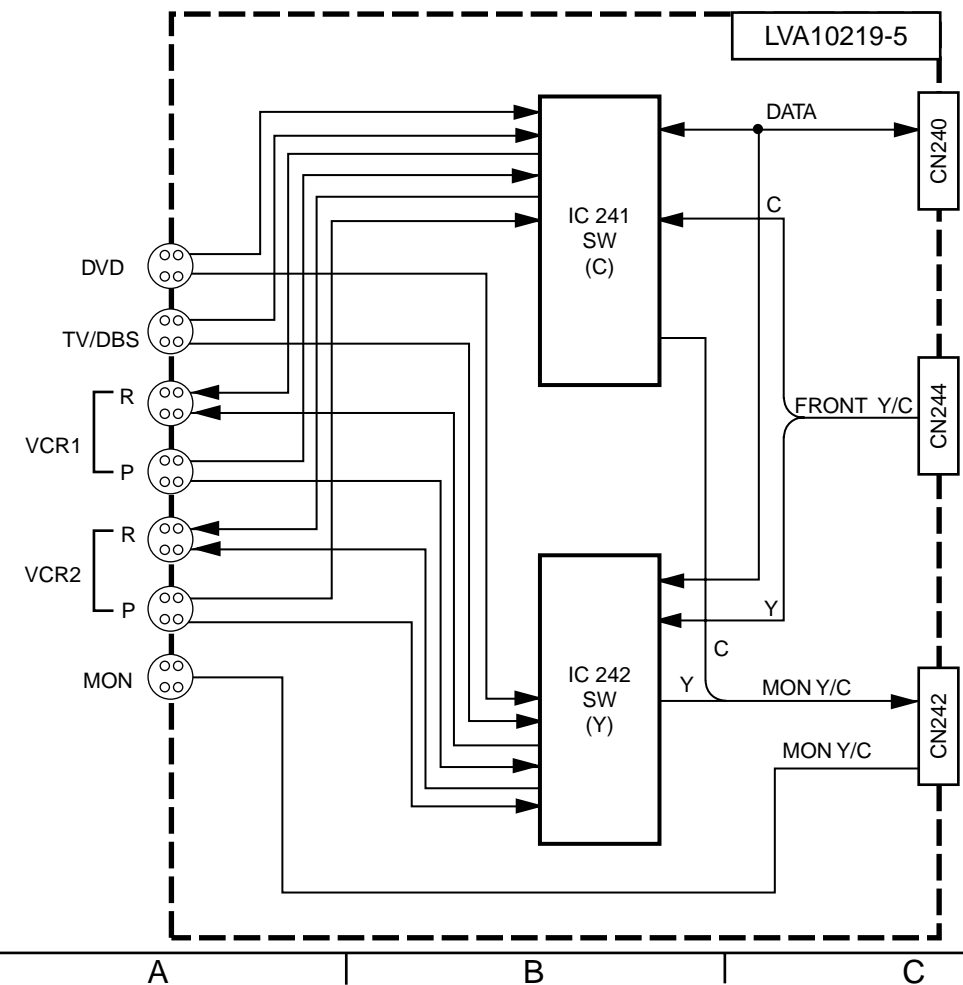
■ Video section



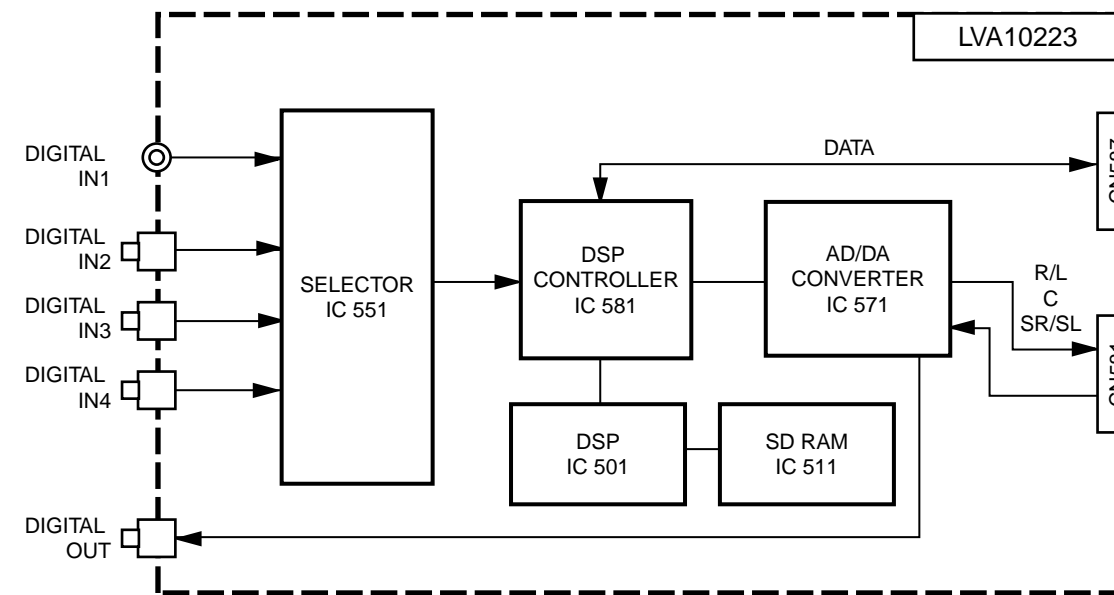
■ Video input section



■ S Video section



■ DSP section



5

4

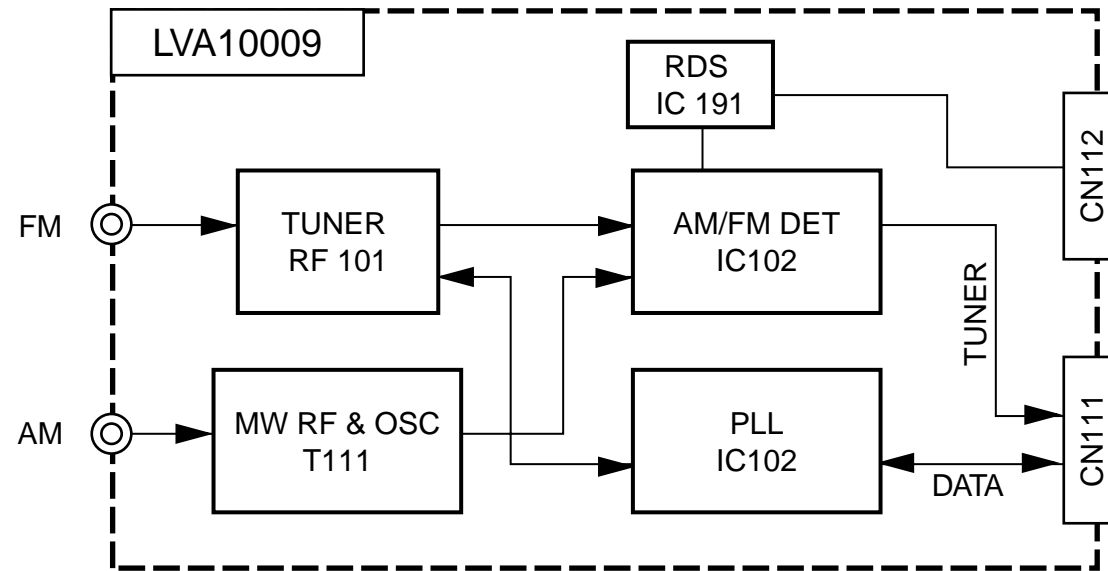
3

2

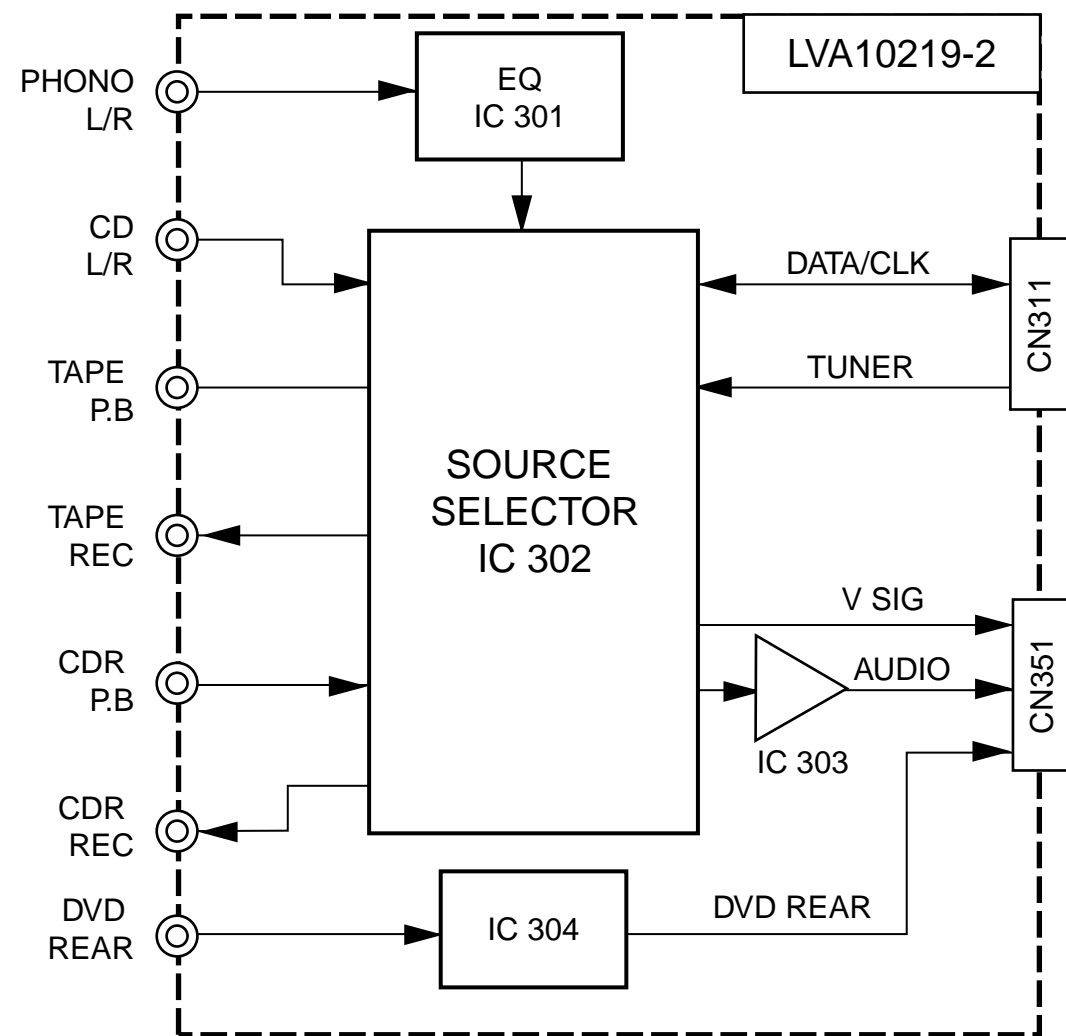
1

A B C 2-2 D E F G H

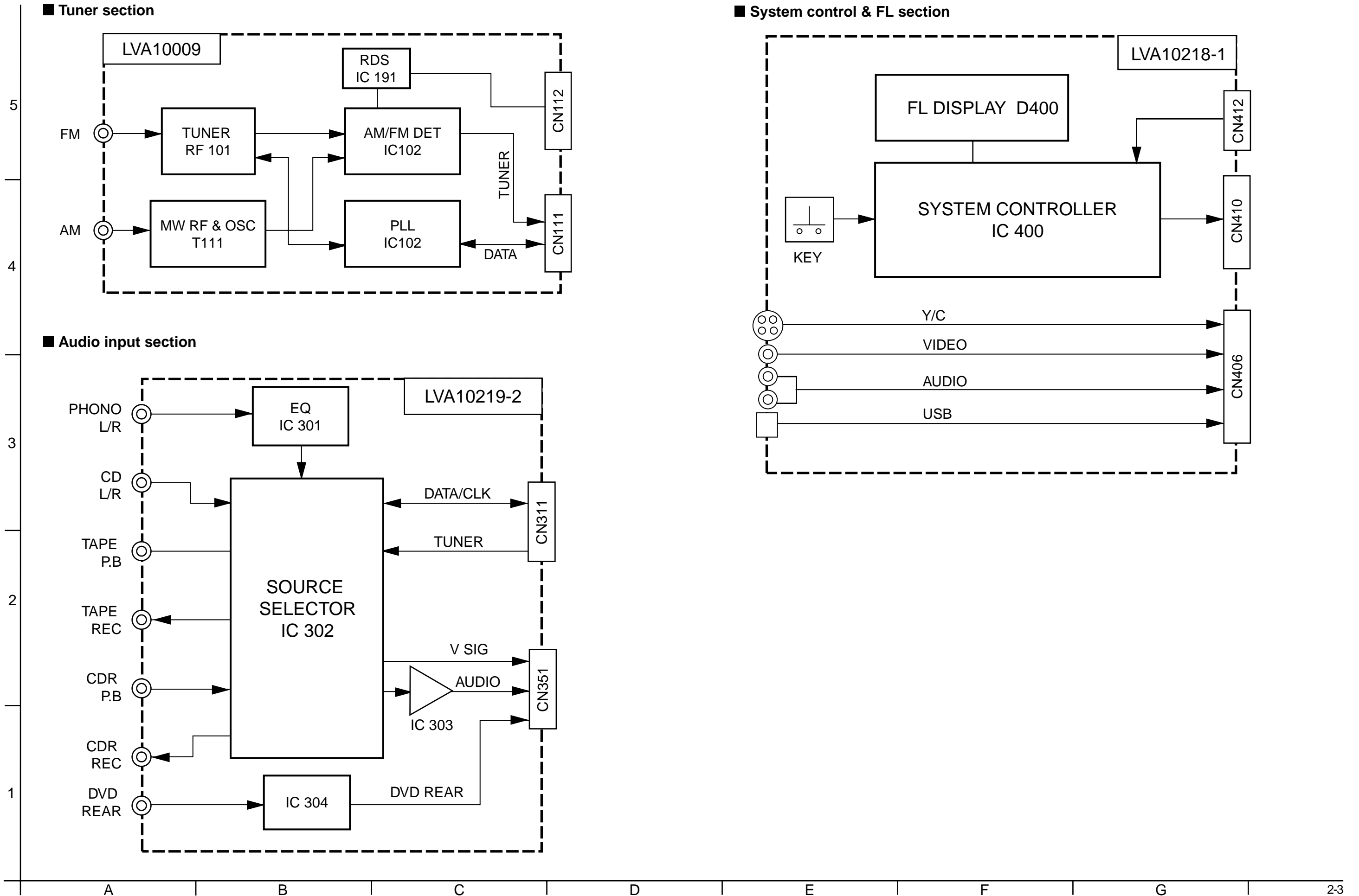
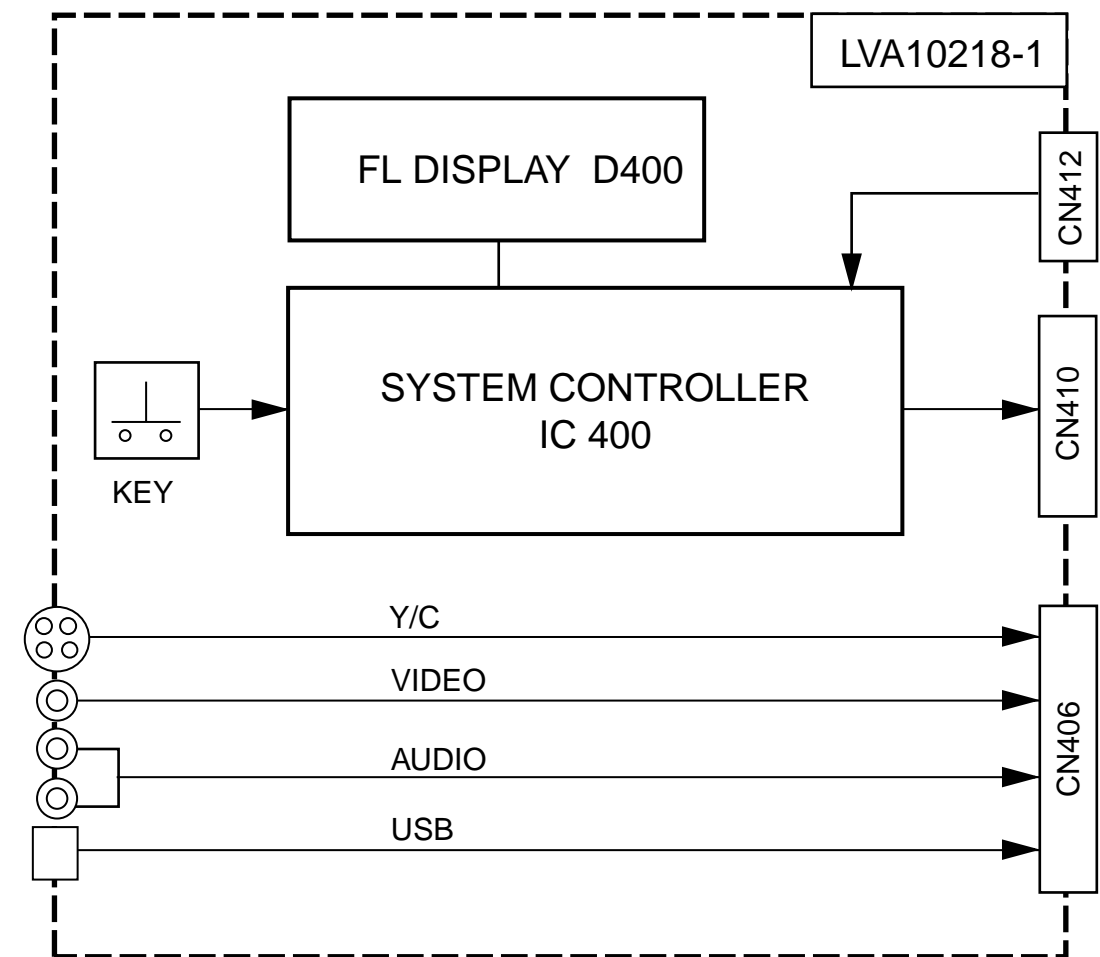
■ Tuner section



■ Audio input section

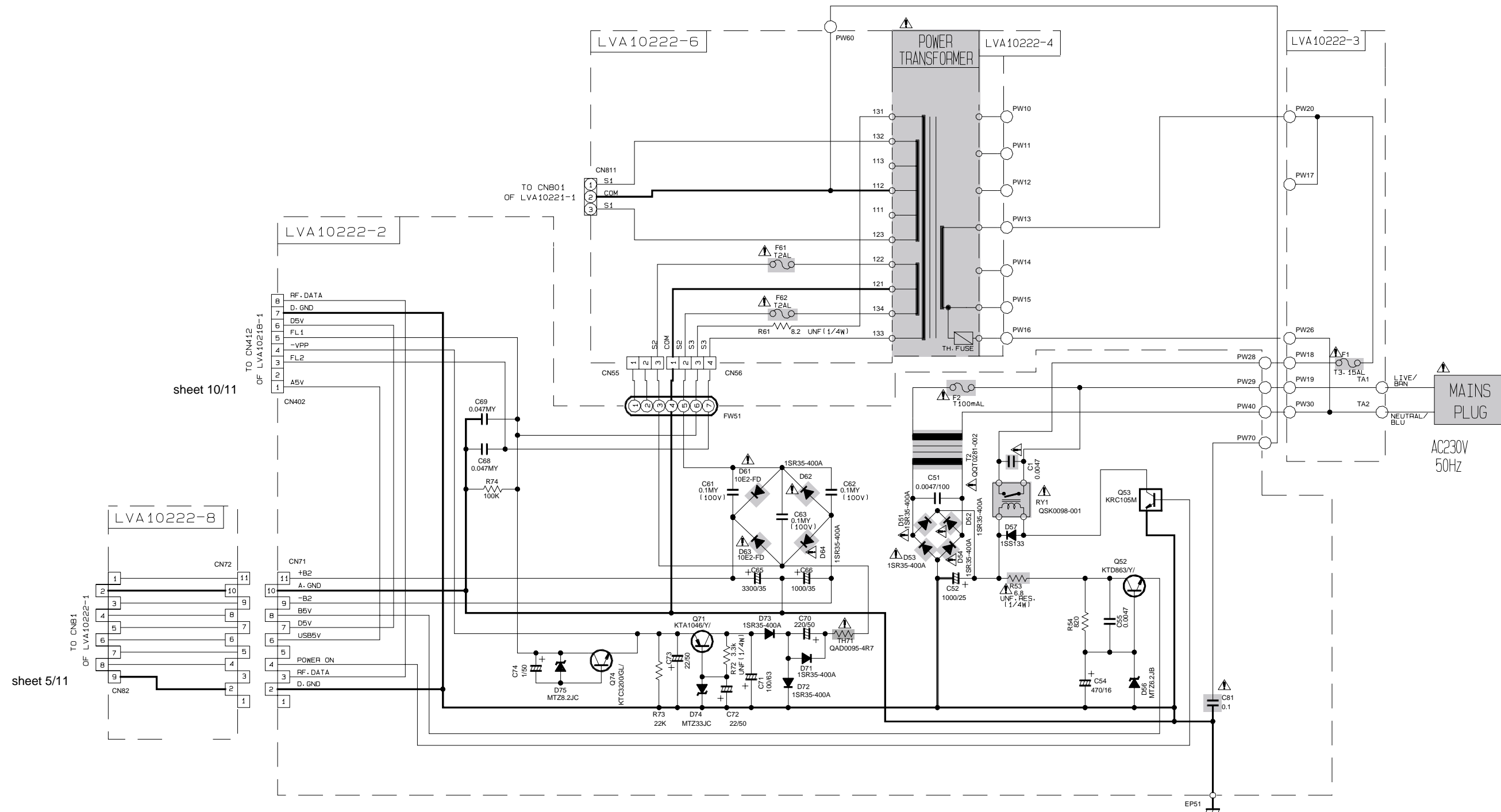


■ System control & FL section



Standard schematic diagrams

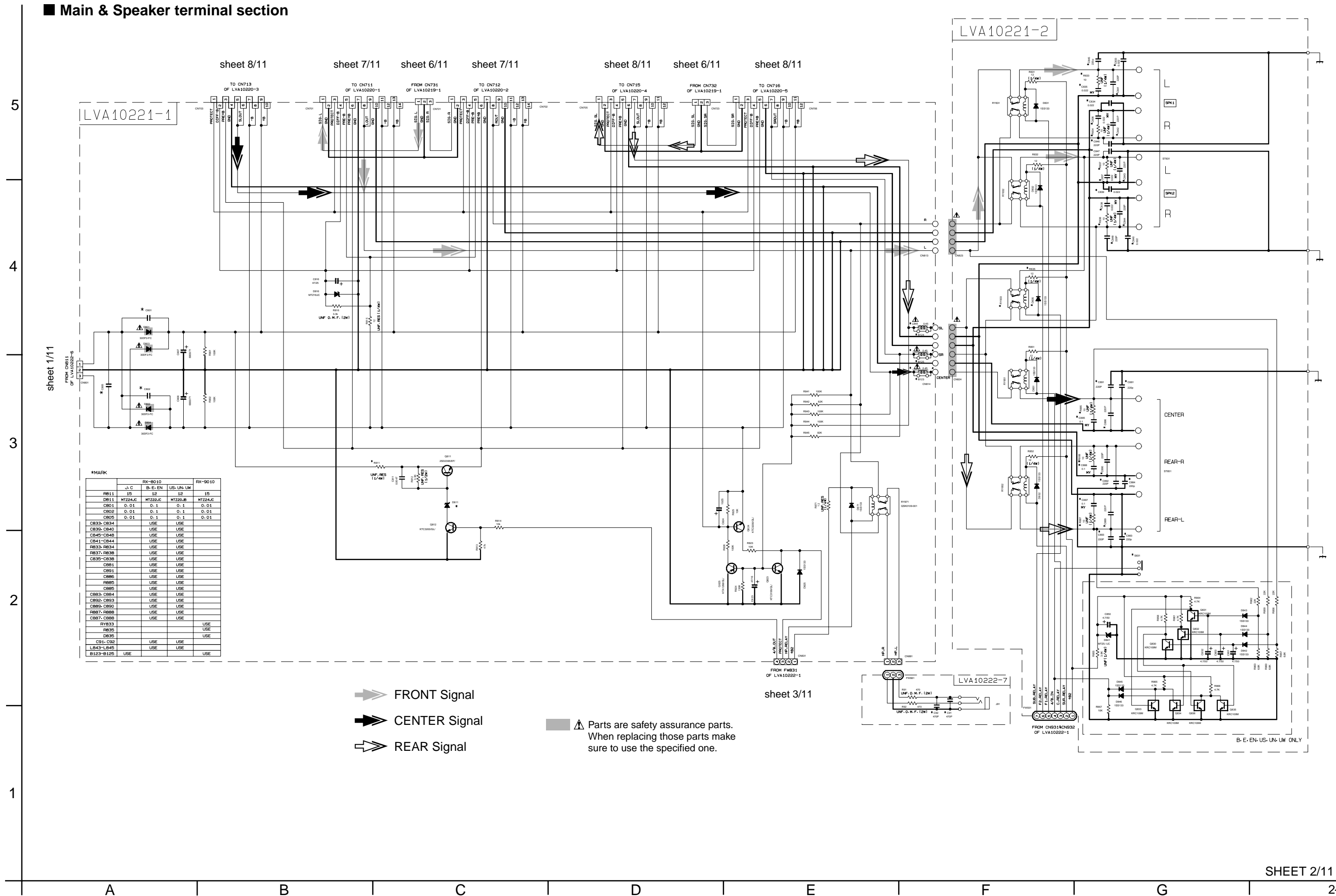
Power supply section



SHEET NUMBER	CIRCUIT DESCRIPTION
1/11	POWER SUPPLY
2/11	MAIN
3/11	AUDIO
4/11	AUDIO SIGNAL INPUT
5/11	VIDEO SIGNAL INPUT
6/11	DVD
7/11	AUDIO AMP (FRONT CHANNEL)
8/11	AUDIO AMP (CENTER, REAR CHANNEL)
9/11	DSP
10/11	SYSTEM CONTROL
11/11	TUNER

▲ Parts are safety assurance parts.
When replacing those parts make sure to use the specified one.

■ Main & Speaker terminal section

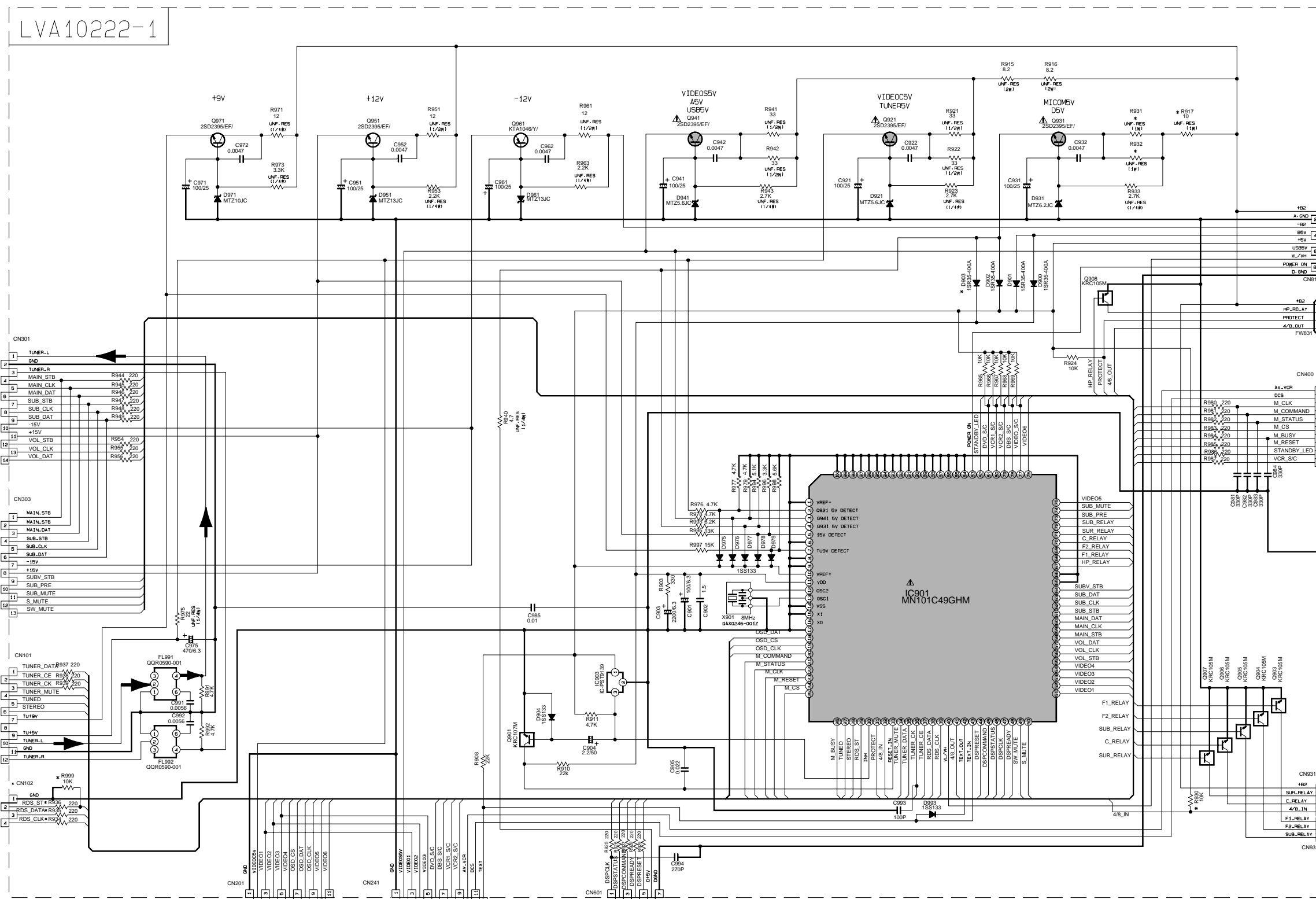


*MARK

	J-C	RX-8010	B-E-EN	US-UN-UK	RX-9010
RB11	15	12	12	15	
DB11	MT224JC	MT222JC	MT220JB	MT224JC	
CB01	0.01	0.1	0.1	0.01	
CB02	0.01	0.1	0.1	0.01	
CB05	0.01	0.1	0.1	0.01	
CB33-CB34	USE	USE			
CB39-CB40	USE	USE			
CB40-CB48	USE	USE			
CB41-CB44	USE	USE			
RB33-RB34	USE	USE			
RB37-RB38	USE	USE			
CB35-CB38	USE	USE			
CB91	USE	USE			
CB91	USE	USE			
CB86	USE	USE			
RB85	USE	USE			
CB85	USE	USE			
CB83-CB84	USE	USE			
CB92-CB93	USE	USE			
CB89-CB90	USE	USE			
RB87-RB88	USE	USE			
CB87-CB88	USE	USE			
RY833			USE		
RB35			USE		
DB35			USE		
CB1-CB2	USE	USE			
LB43-LB45	USE	USE			
B123-B125	USE	USE			

- ➡ FRONT Signal
- ➡ CENTER Signal
- ➡ REAR Signal
- ⚠ Parts are safety assurance parts. When replacing those parts make sure to use the specified one.

Audio section



5

4

3

2

1

TO CN311
OF LVA10219-2
sheet 4/11

TO CN313
OF LVA10219-3
sheet 4/11

sheet 11/11

sheet 11/11

TO CN200
OF LVA10219-4
sheet 5/11

TO CN240
OF LVA10219-5
sheet 5/11

TO CN587
OF LVA10223
sheet 6/11

FROM CNB2
OF LVA10221-3

TO CNB1
OF LVA10221-1

sheet 2/11

FROM CN410
OF LVA10218-1

sheet 10/11

TO FW931
OF LVA10221-2

sheet 2/11

*MARK

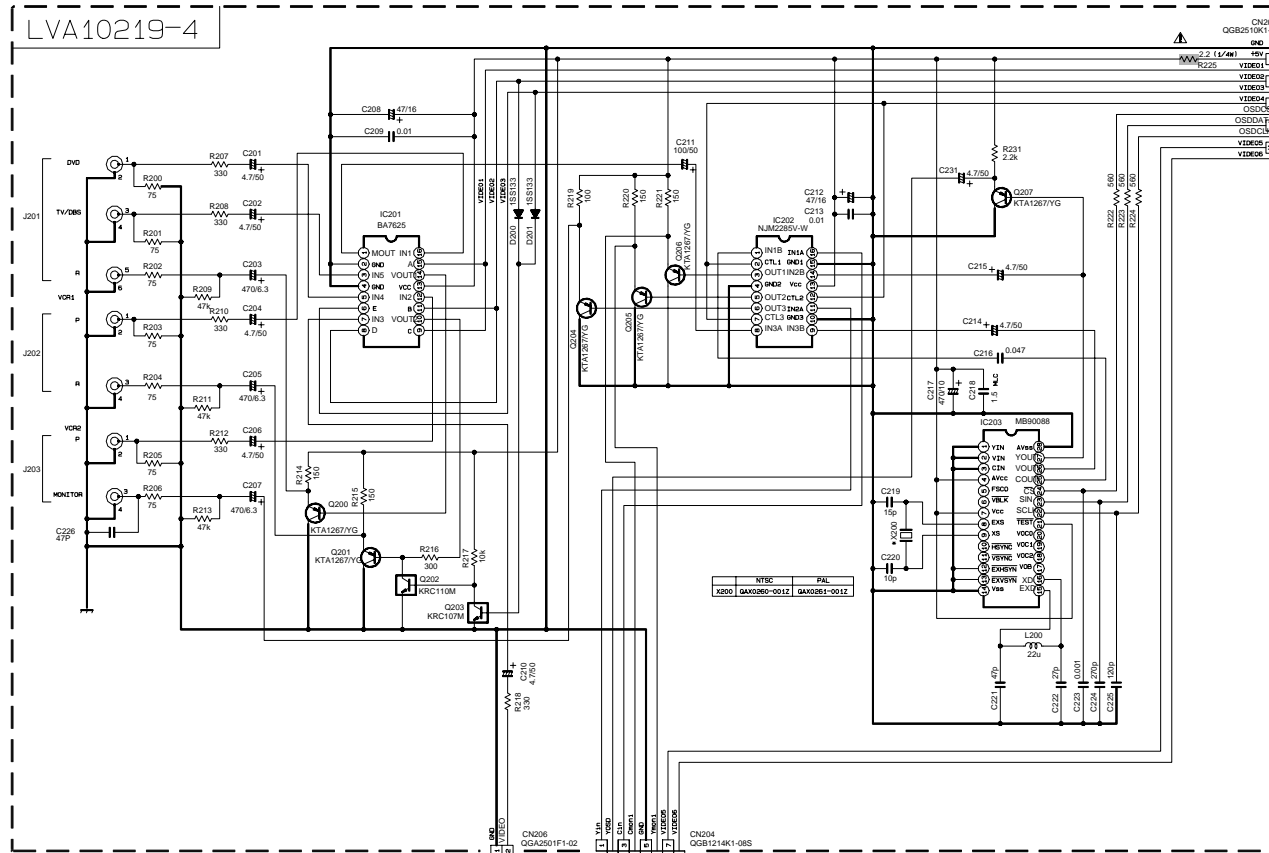
	RX-B010	B-E-EN	US-UN-UW	RX-9010
R930	USE			USE
R999	USE			USE
R934	USE			USE
R935	USE			USE
R936	USE			USE
CN102	USE			USE
R917	SHORT	SHORT	USE	SHORT
R931	43	43	43	39
R932	43	43	43	39
D903				USE

➔ TUNER Signal

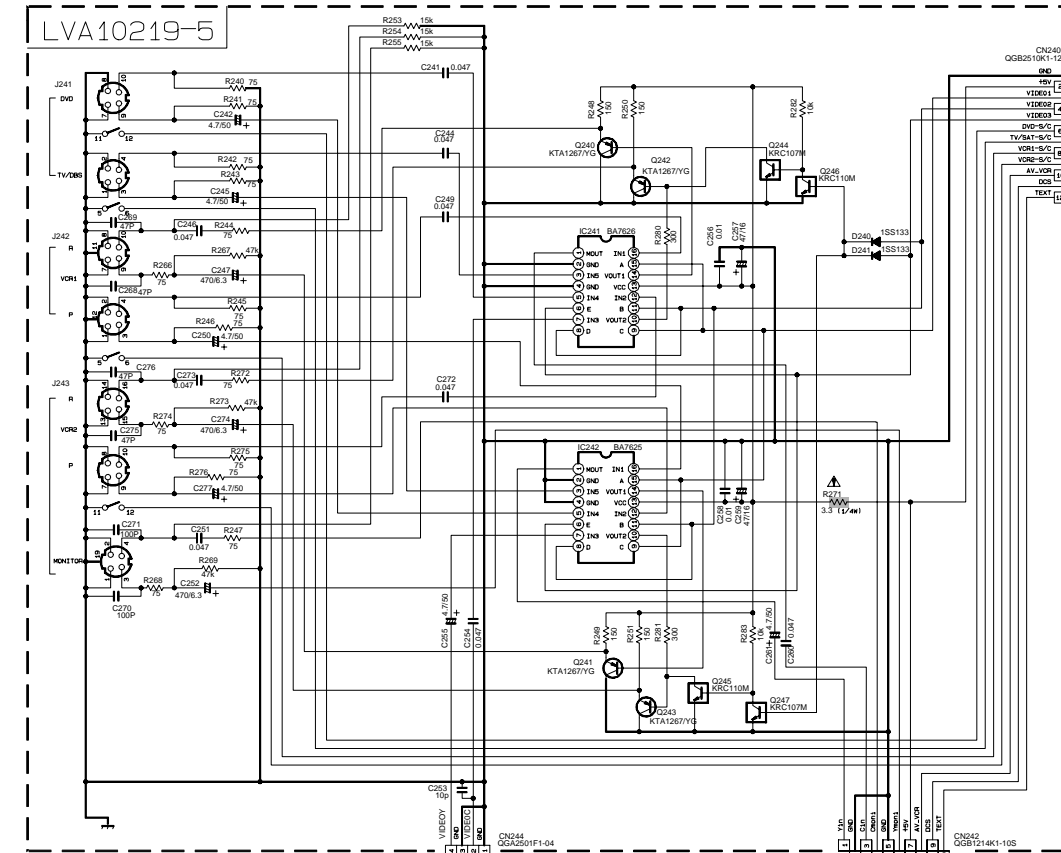
⚠ Parts are safety assurance parts.
When replacing those parts make
sure to use the specified one.

Video / S video signal input section

RX-8012RSL
#001~800



sheet 3/11

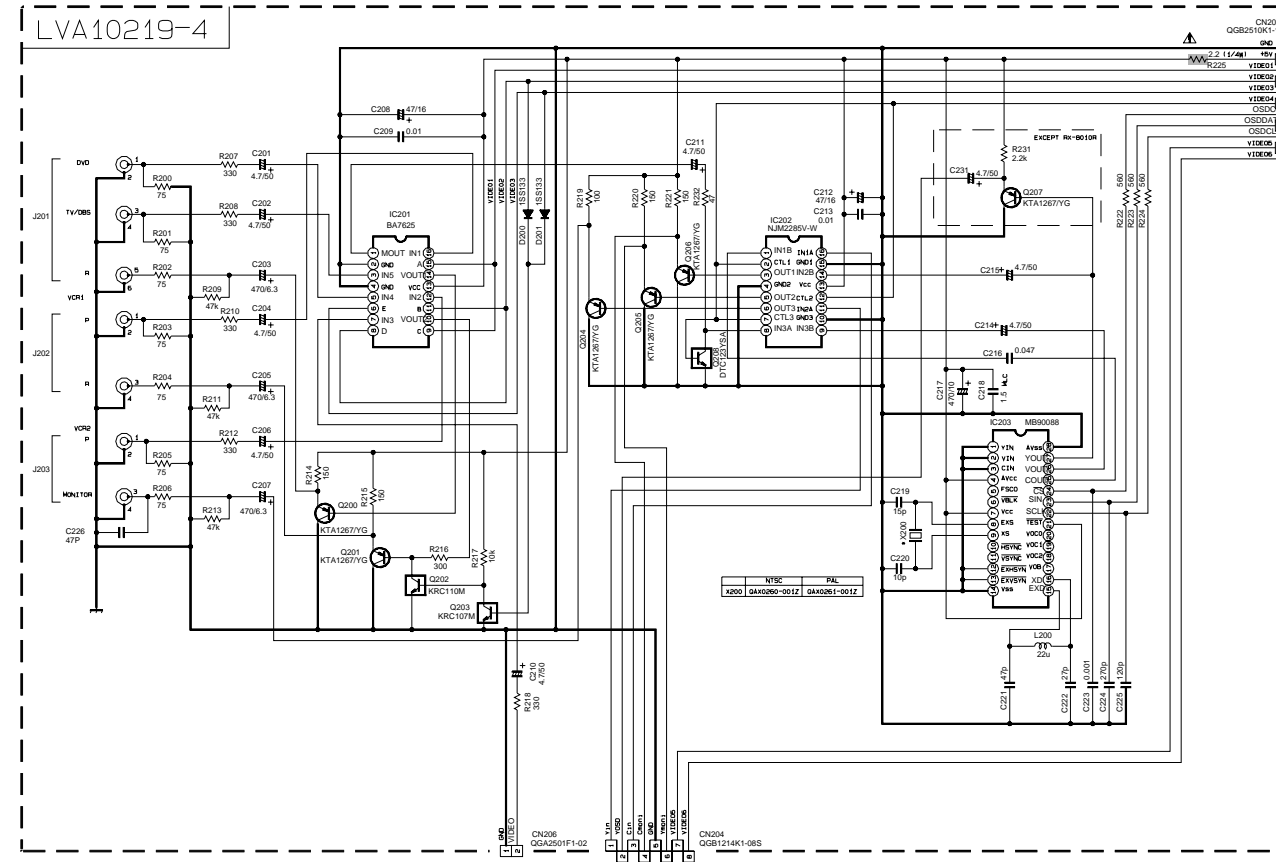


Sheet 3/11

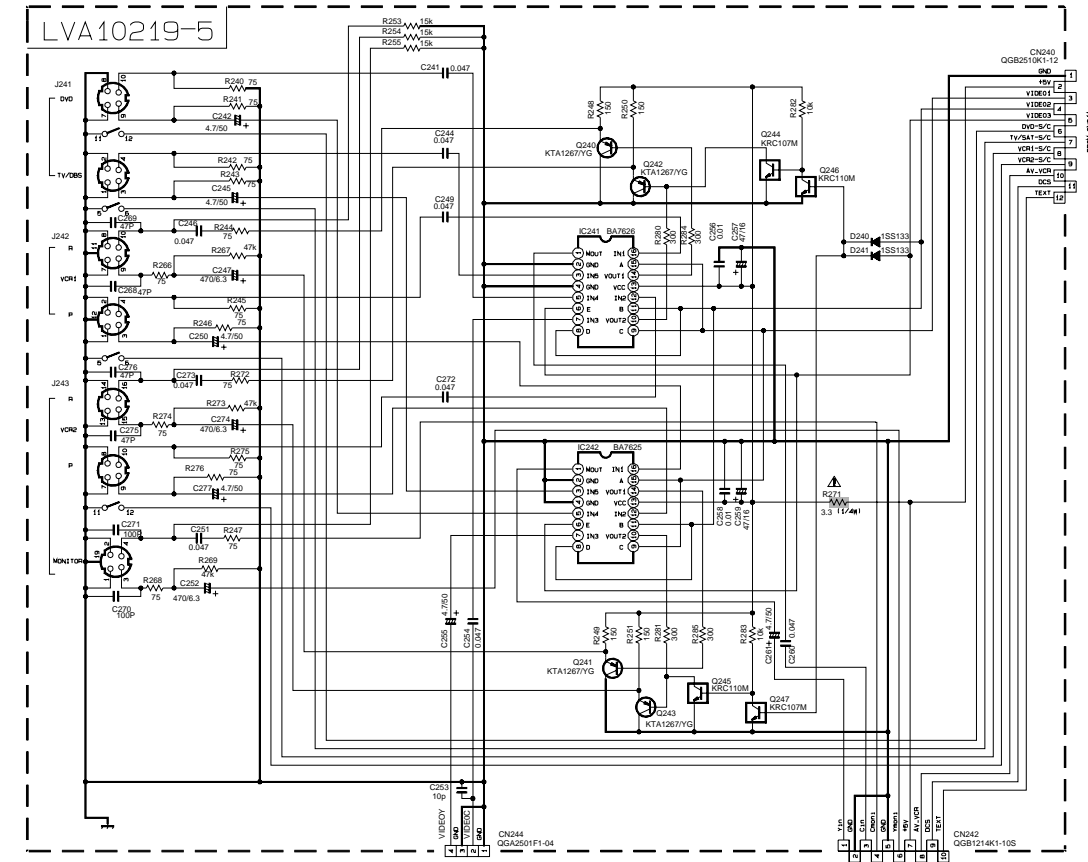
⚠ Parts are safety assurance parts.
When replacing those parts make
sure to use the specified one.

Video / S video signal input section

RX-8012RSL
#801~1300



sheet 10/11 sheet 6/11



sheet 10/11 sheet 6/11

sheet 3/11

sheet 3/11

⚠ Parts are safety assurance parts.
When replacing those parts make
sure to use the specified one.

DVD section

5

sheet 1/11

4

sheet 5/11

sheet 5/11

3

sheet 9/11

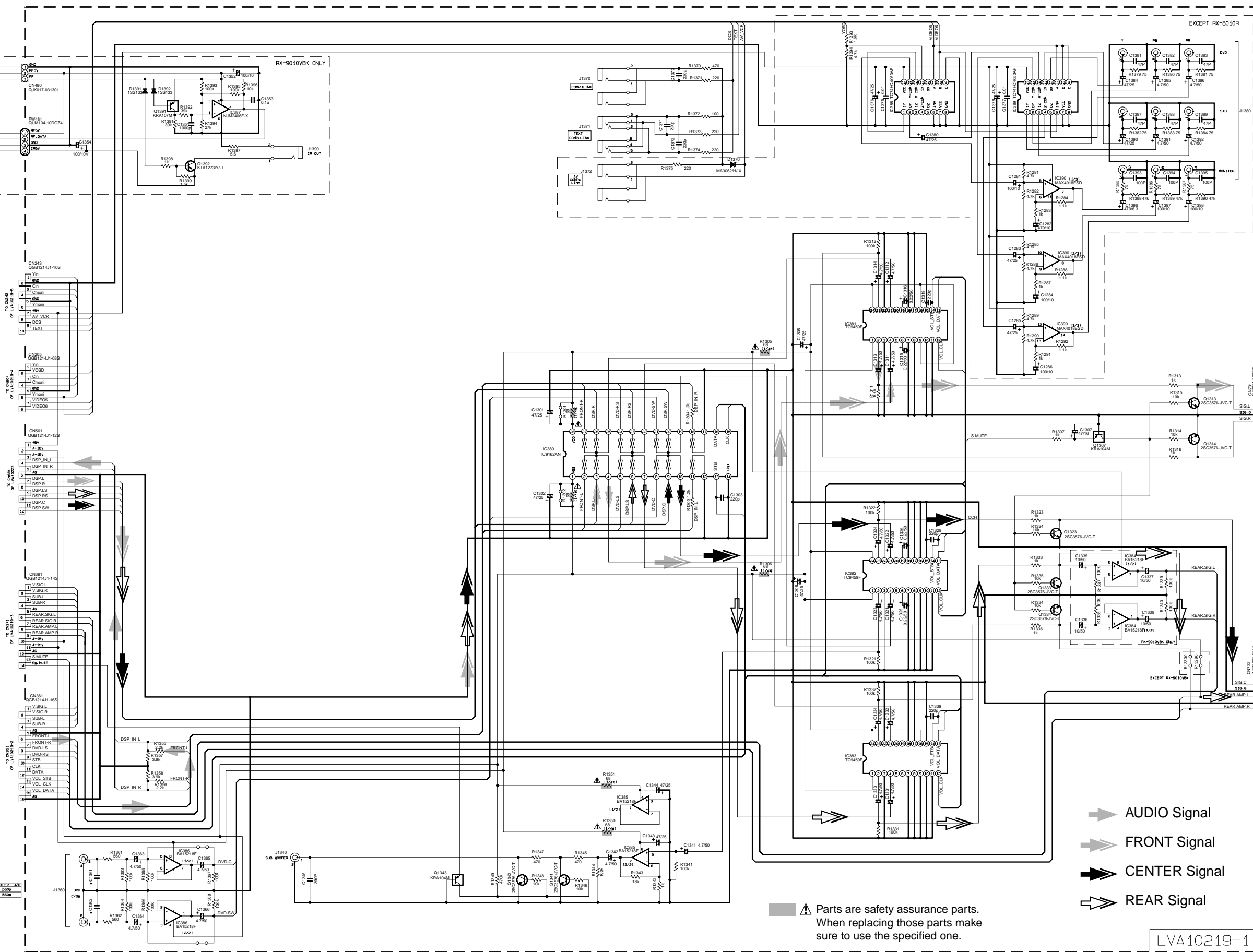
2

sheet 4/11

1

sheet 4/11

MARK	VAL	EXCEPT VAL
C1361	3900	3900
C1362	3900	3900

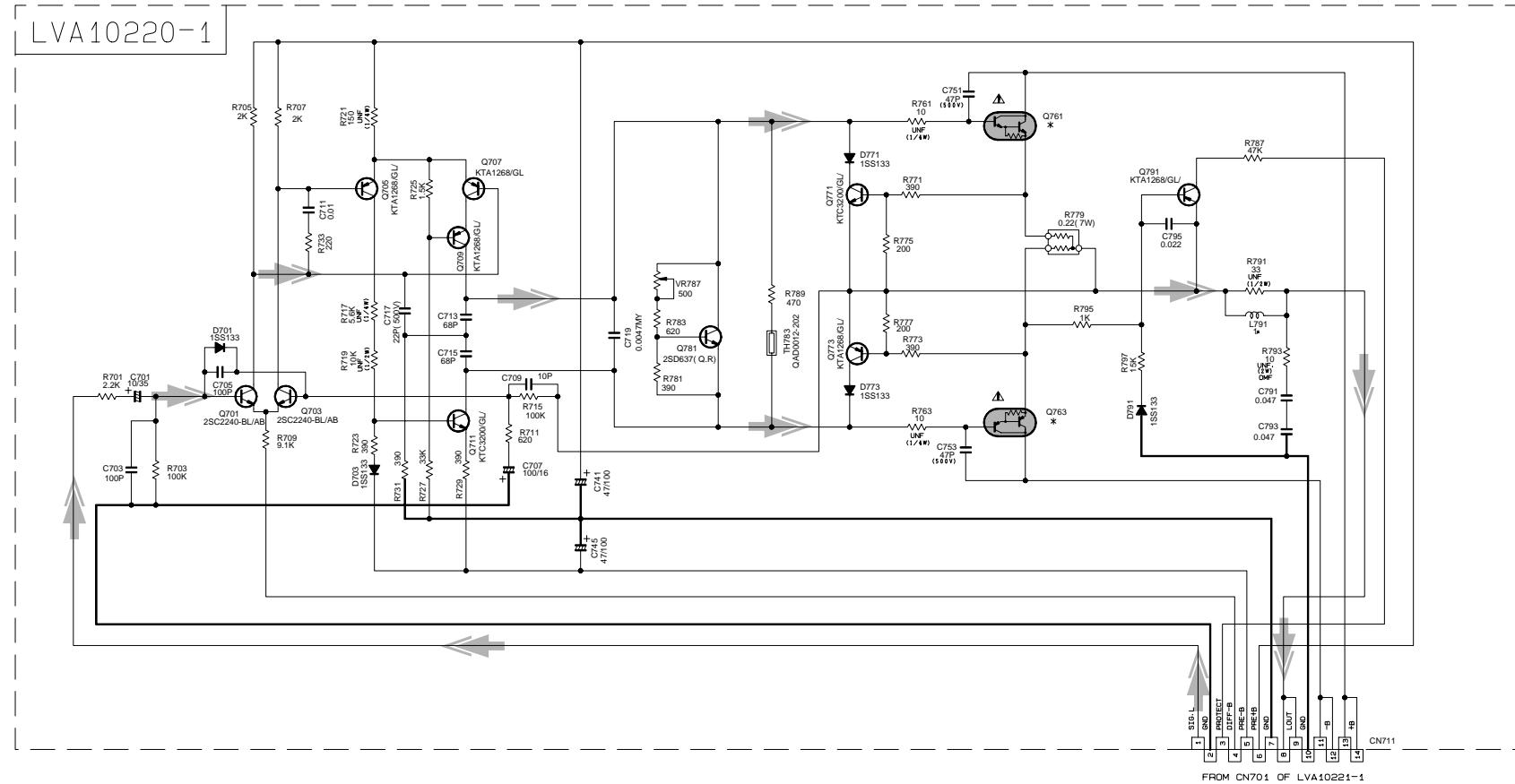


- ➔ AUDIO Signal
- ➔ FRONT Signal
- ➔ CENTER Signal
- ➔ REAR Signal

⚠ Parts are safety assurance parts. When replacing those parts make sure to use the specified one.

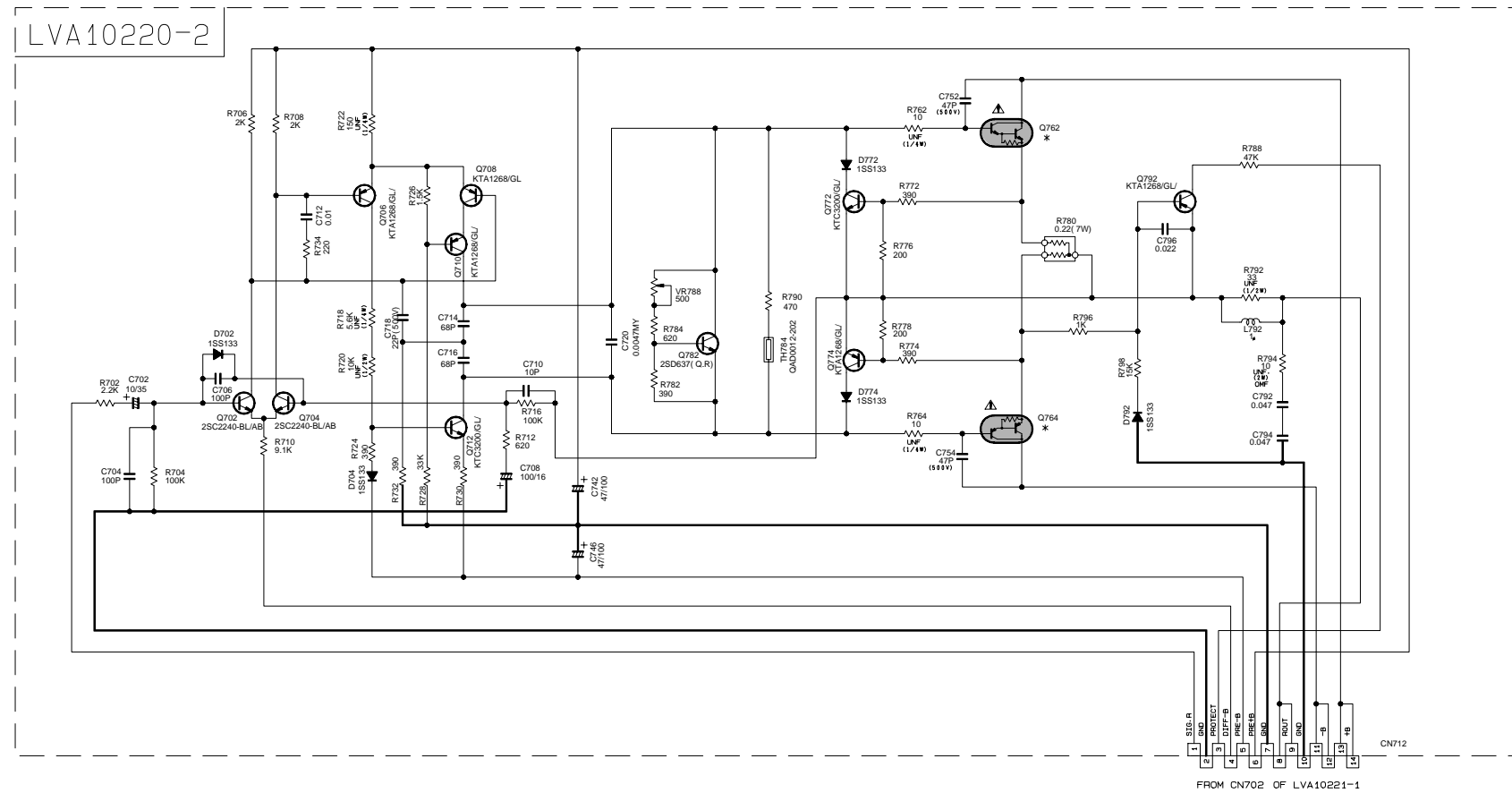
LVA10219-1

■ Audio amplifier section (1/2)



*MARK

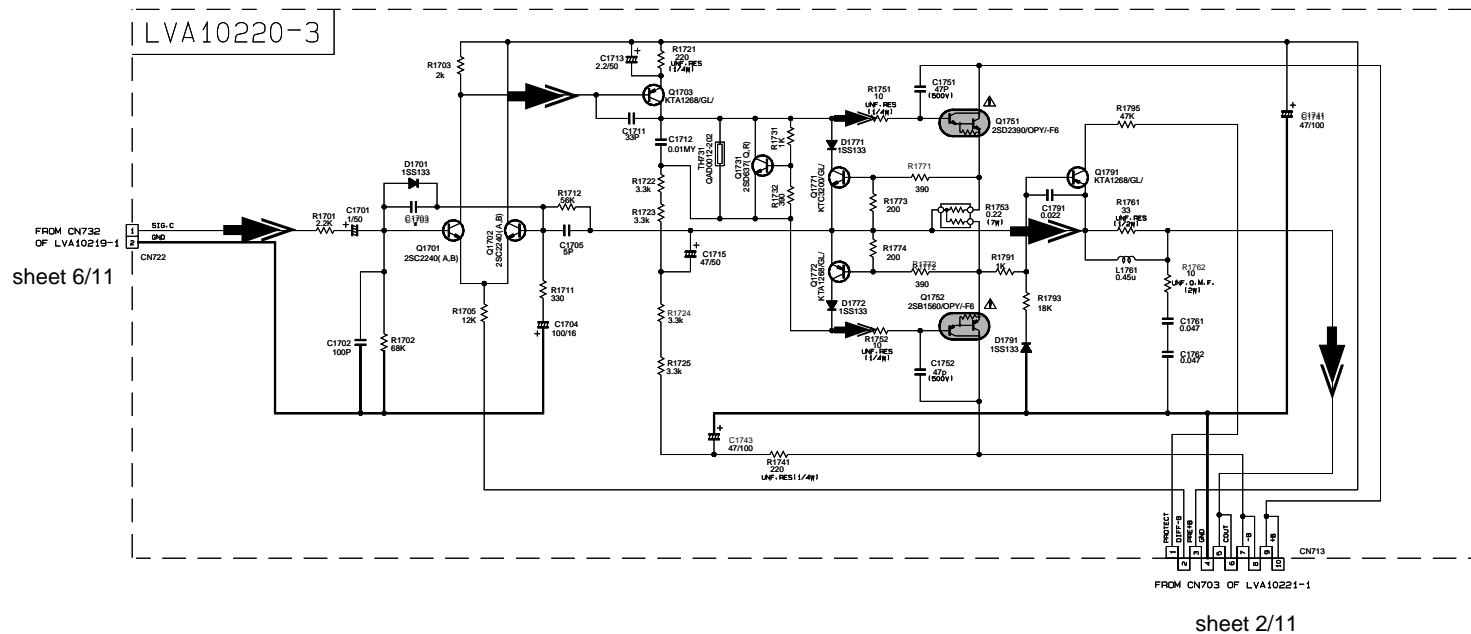
	RX-8010	J.C	RX-9010
Q761-Q762	2SD2390/OPY/-F6	2SD2560/OPY/-F6	2SD2560/OPY/-F6
Q763-Q764	2SB1560/OPY/-F6	2SB1647/OPY/-F6	2SB1647/OPY/-F6



➡ FRONT Signal

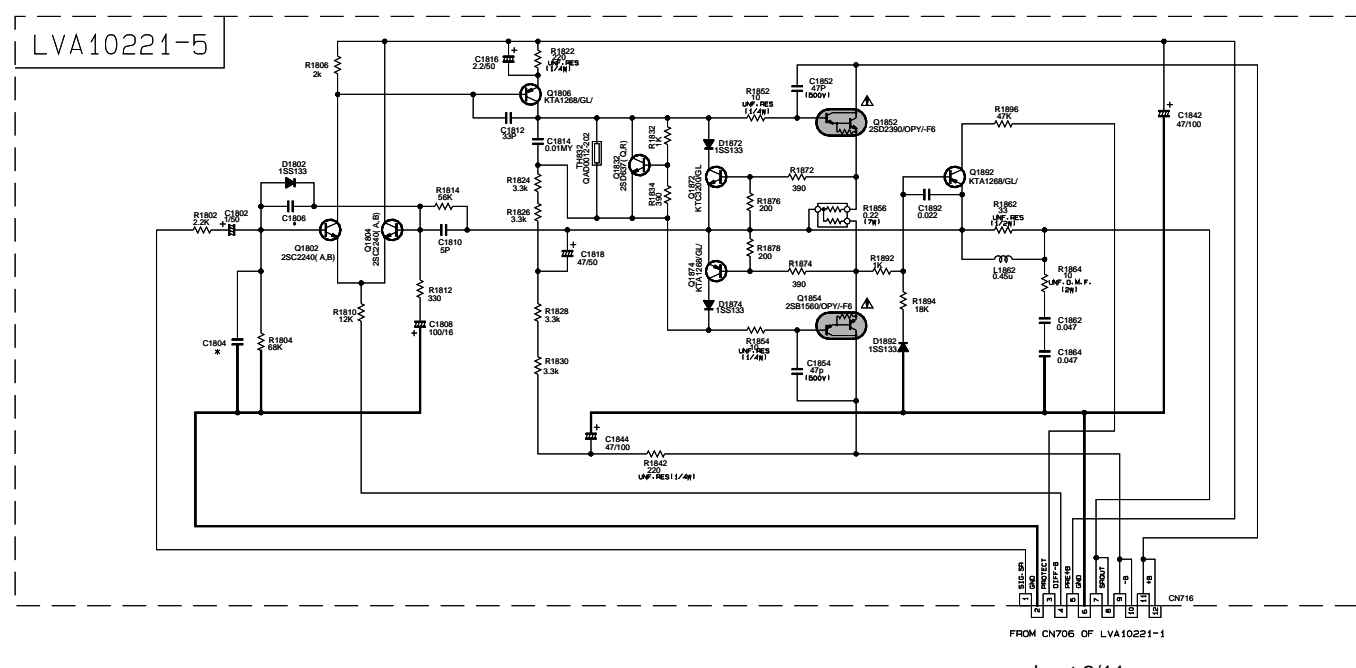
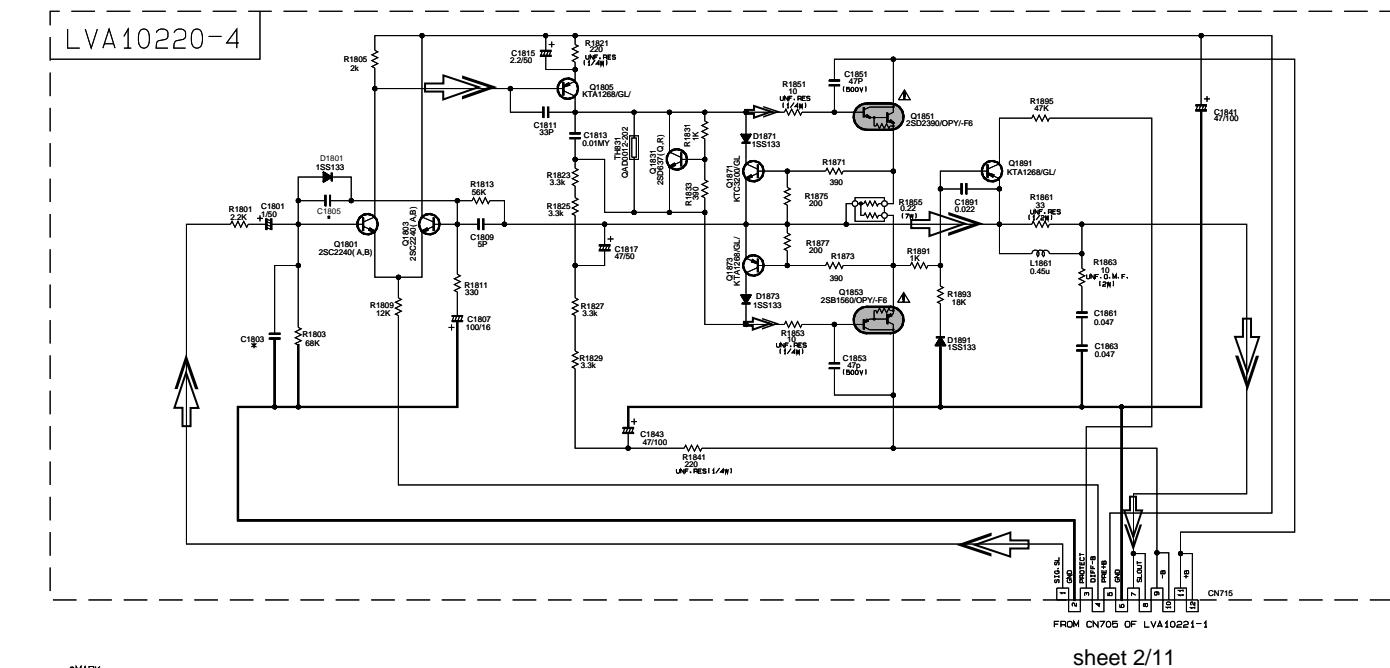
⚠ Parts are safety assurance parts. When replacing those parts make sure to use the specified one.

■ Audio amplifier section (2/2)



➡ CENTER Signal
 ⇨ REAR Signal

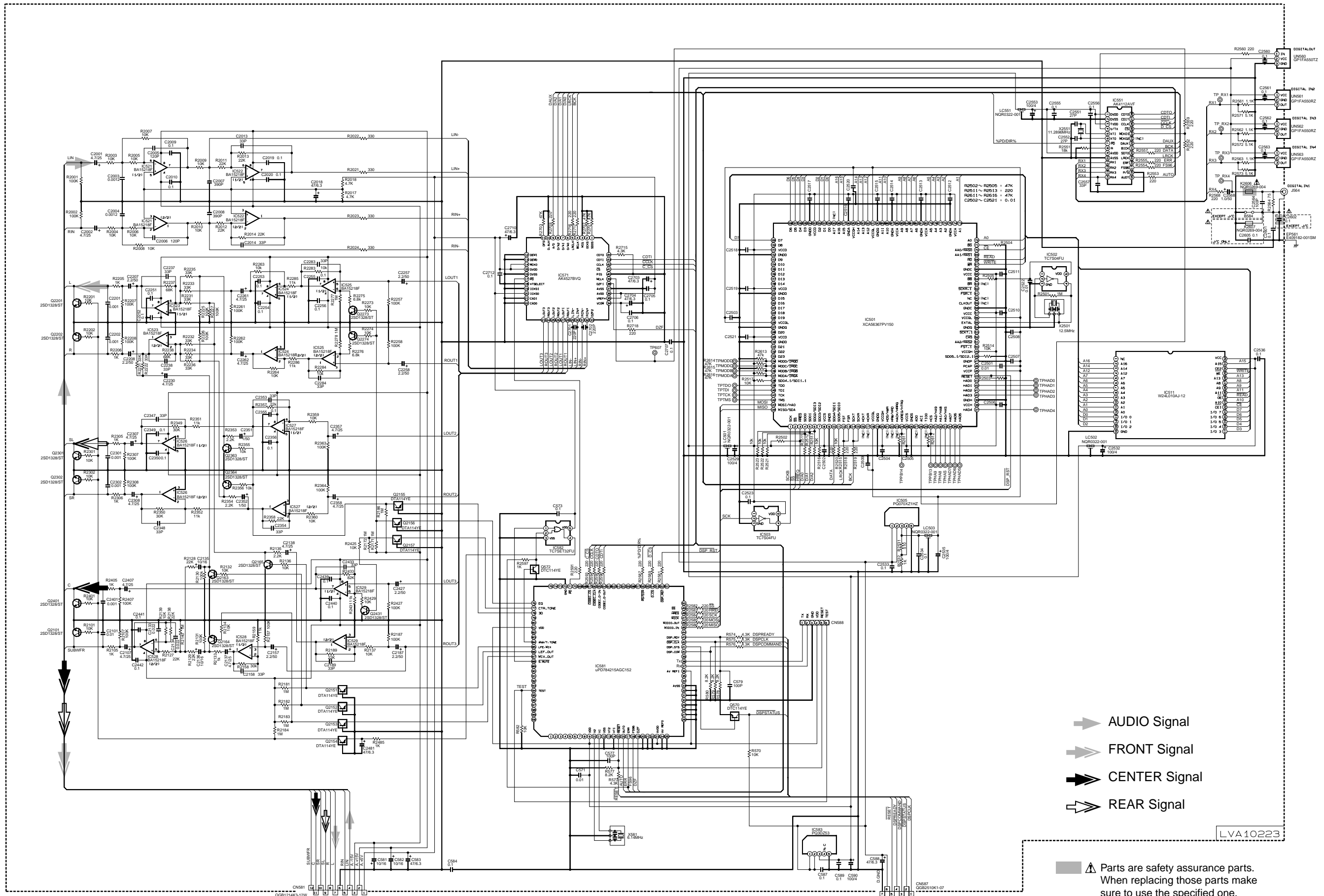
⚠ Parts are safety assurance parts.
 When replacing those parts make sure to use the specified one.



*MARK	RX-8010	RX-9010
C1803-C1804	100P	180P
	J/C	EXCEPT J/C
C1703-C1805-C1806	100P	220P

DSP section

5
4
3
2
1



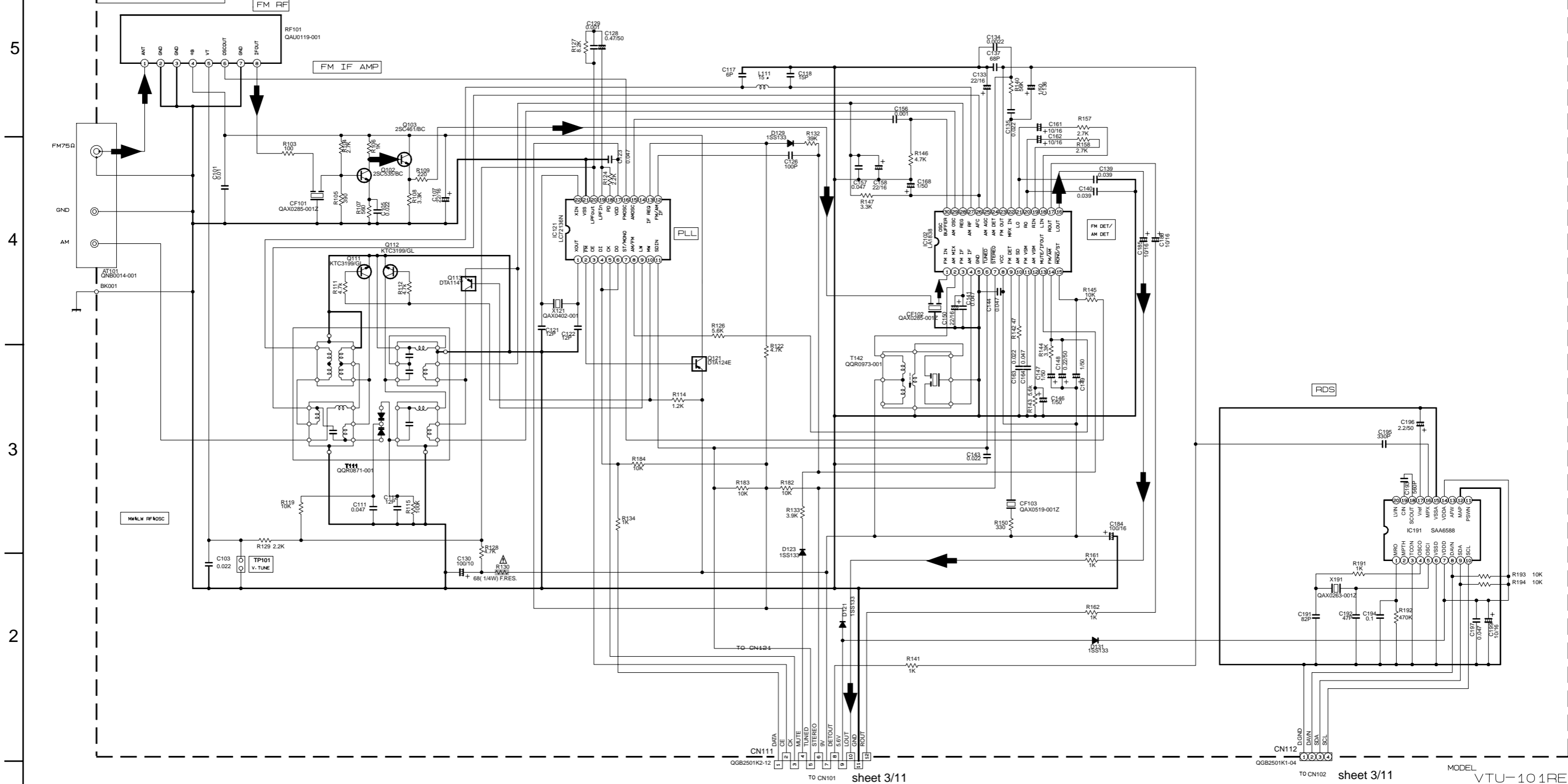
- ➔ AUDIO Signal
- ➔ FRONT Signal
- ➔ CENTER Signal
- ➔ REAR Signal

⚠ Parts are safety assurance parts. When replacing those parts make sure to use the specified one.

■ Tuner section

FOR E/EN/B (WITH RDS)

LVA10009



➔ FM / Tuner signal

⚠ Parts are safety assurance parts. When replacing those parts make sure to use the specified one.

■ Micon board

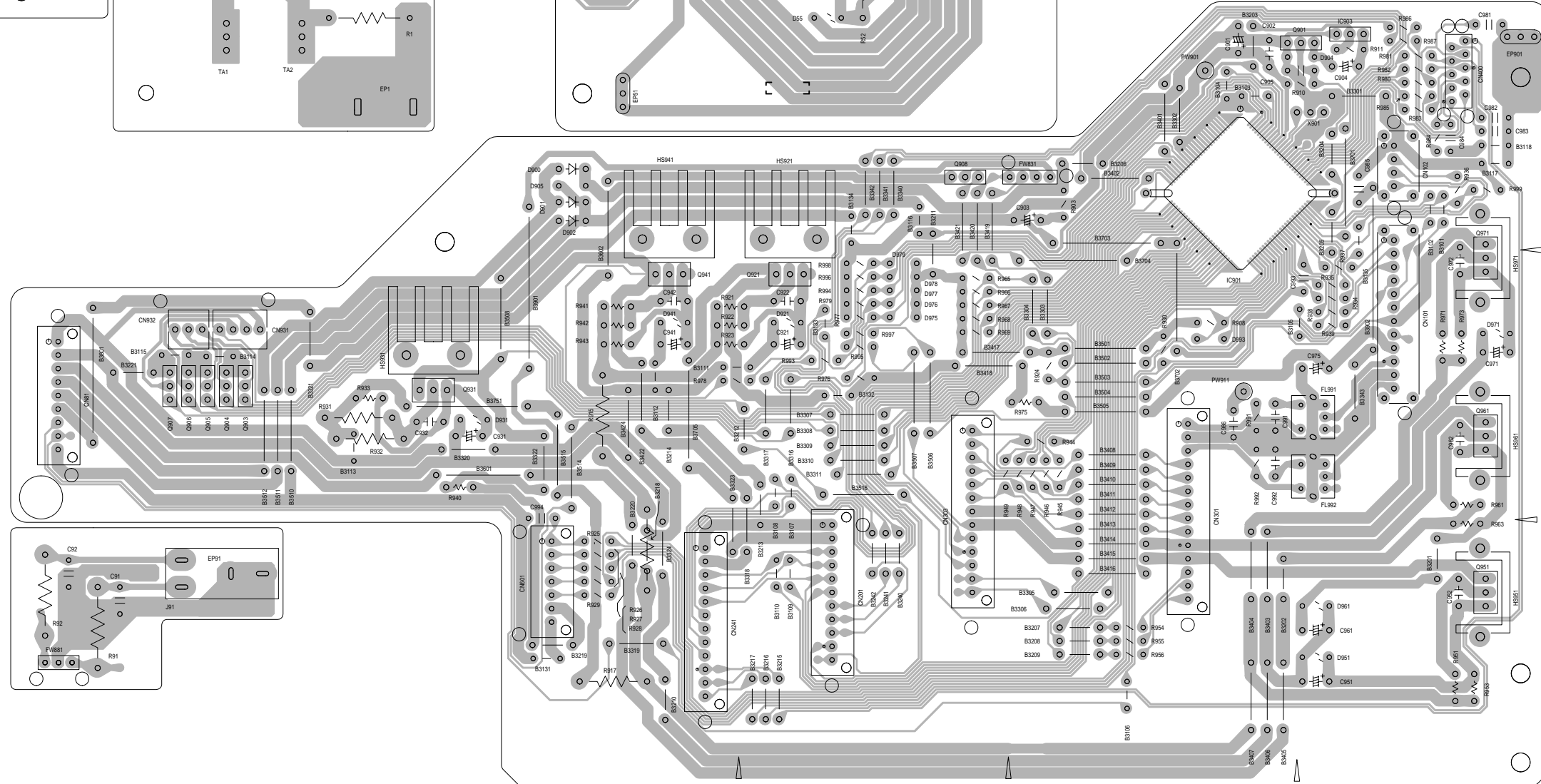
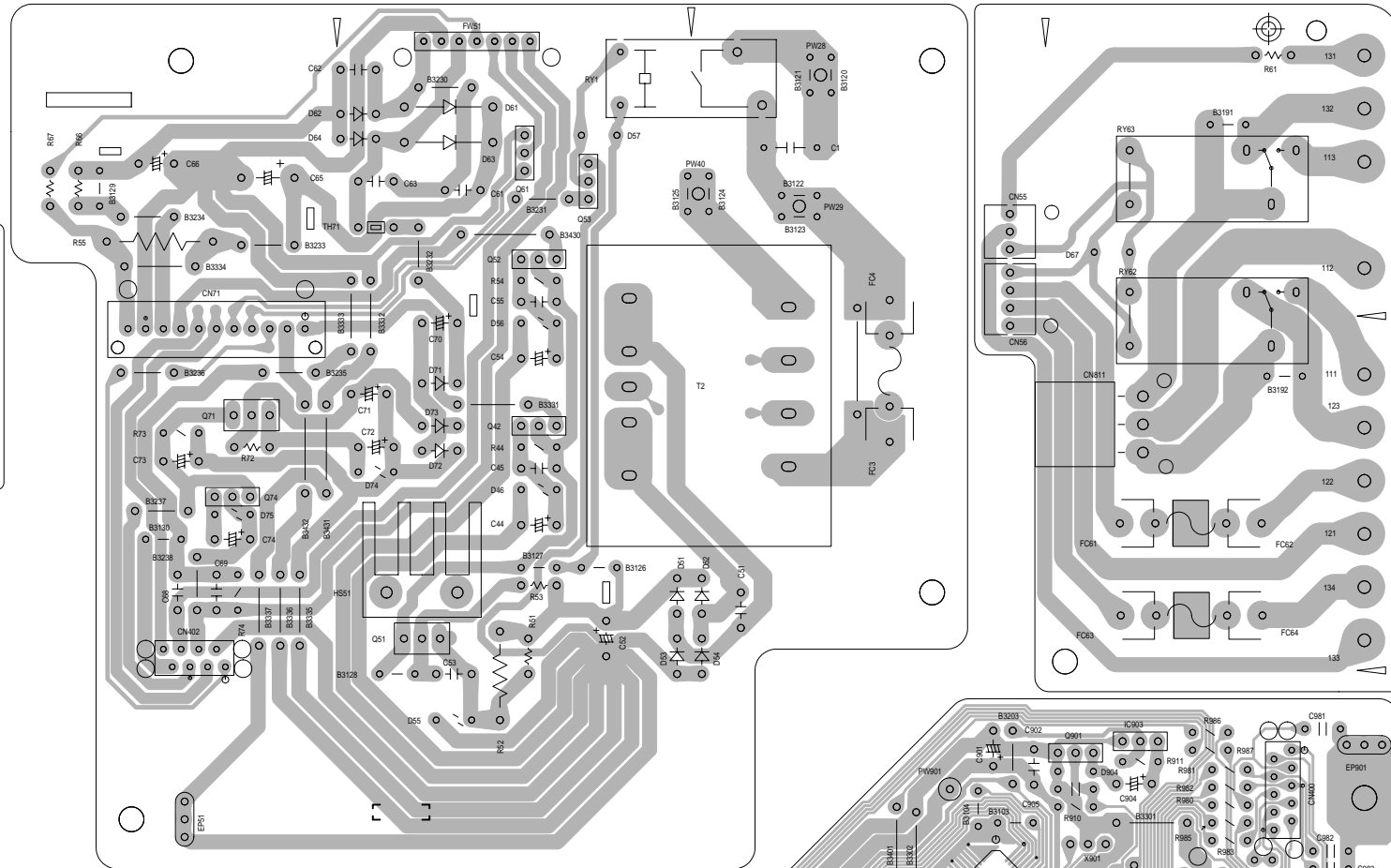
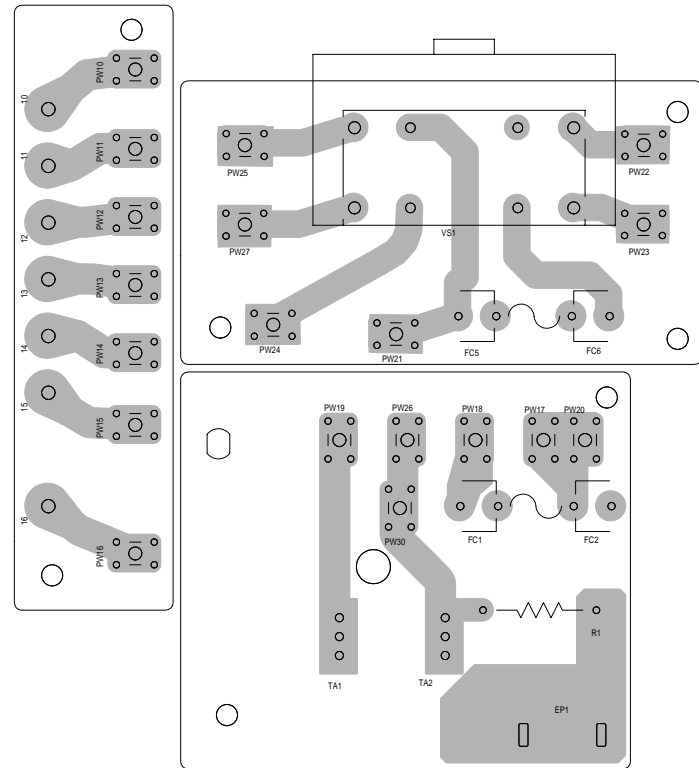
5

4

3

2

1



A

B

C

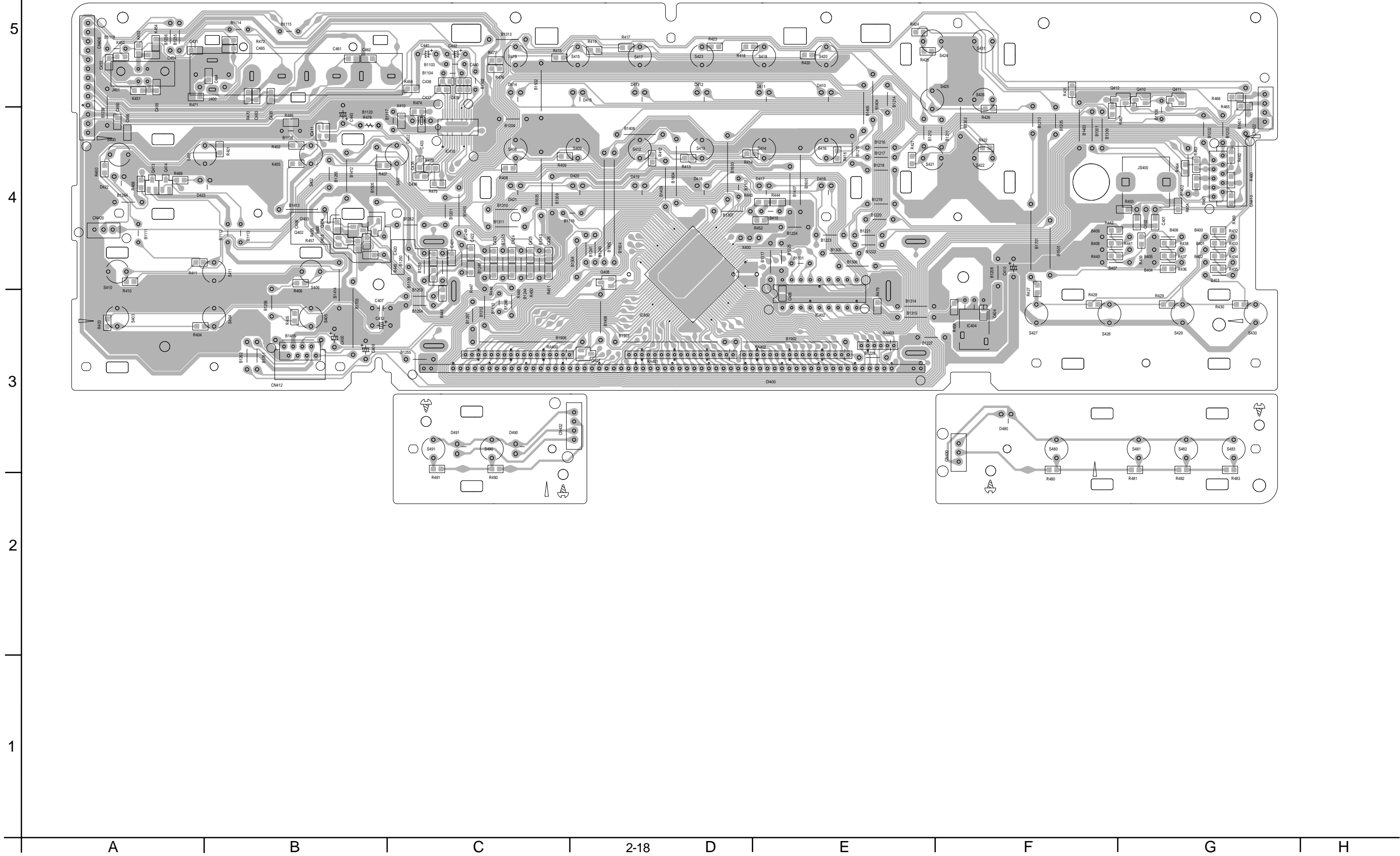
D

E

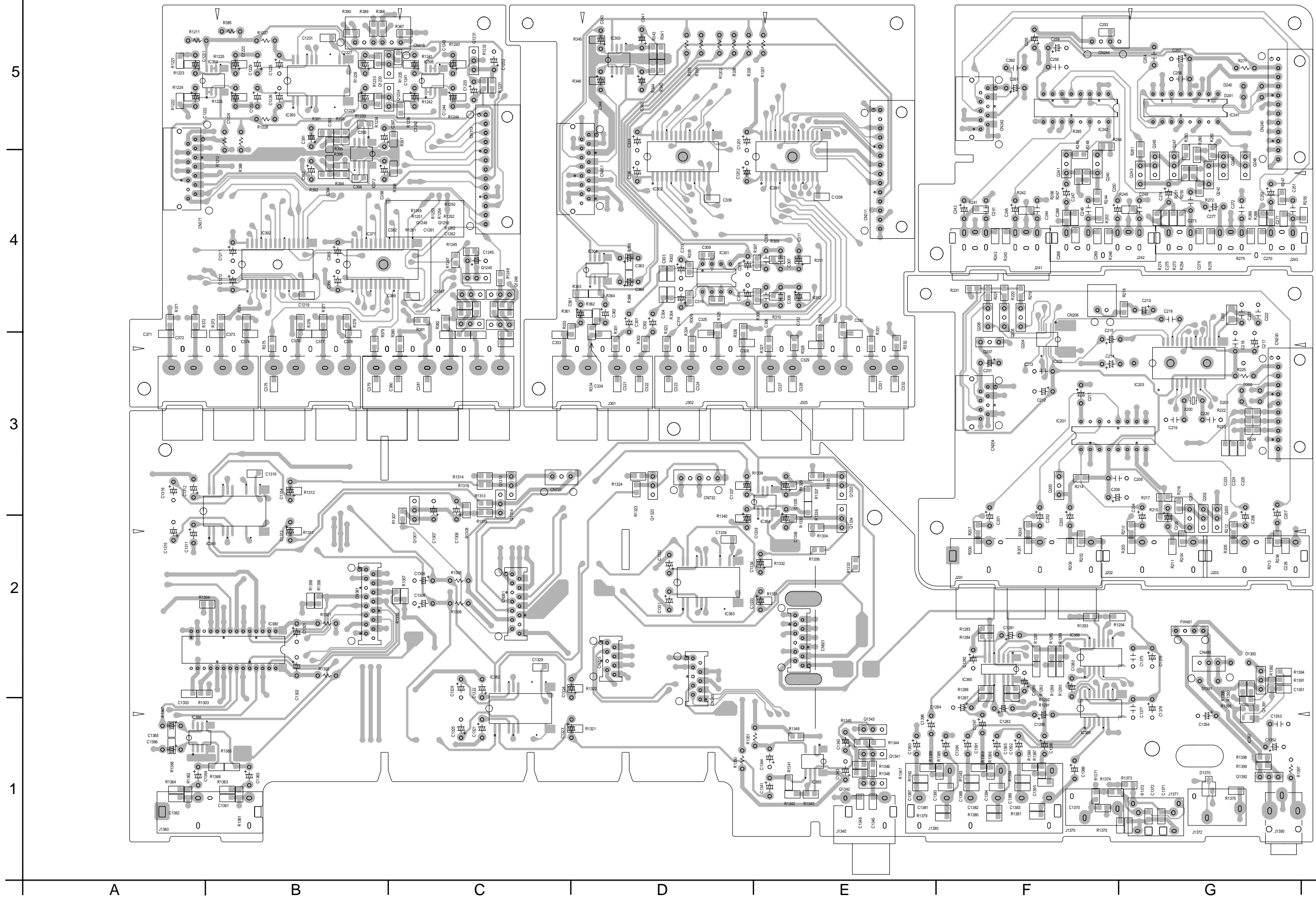
F

G

■ Front board



■ Input board (Reverse side)



■ Input board (Forward side)

RX-8012RSL
#001~800

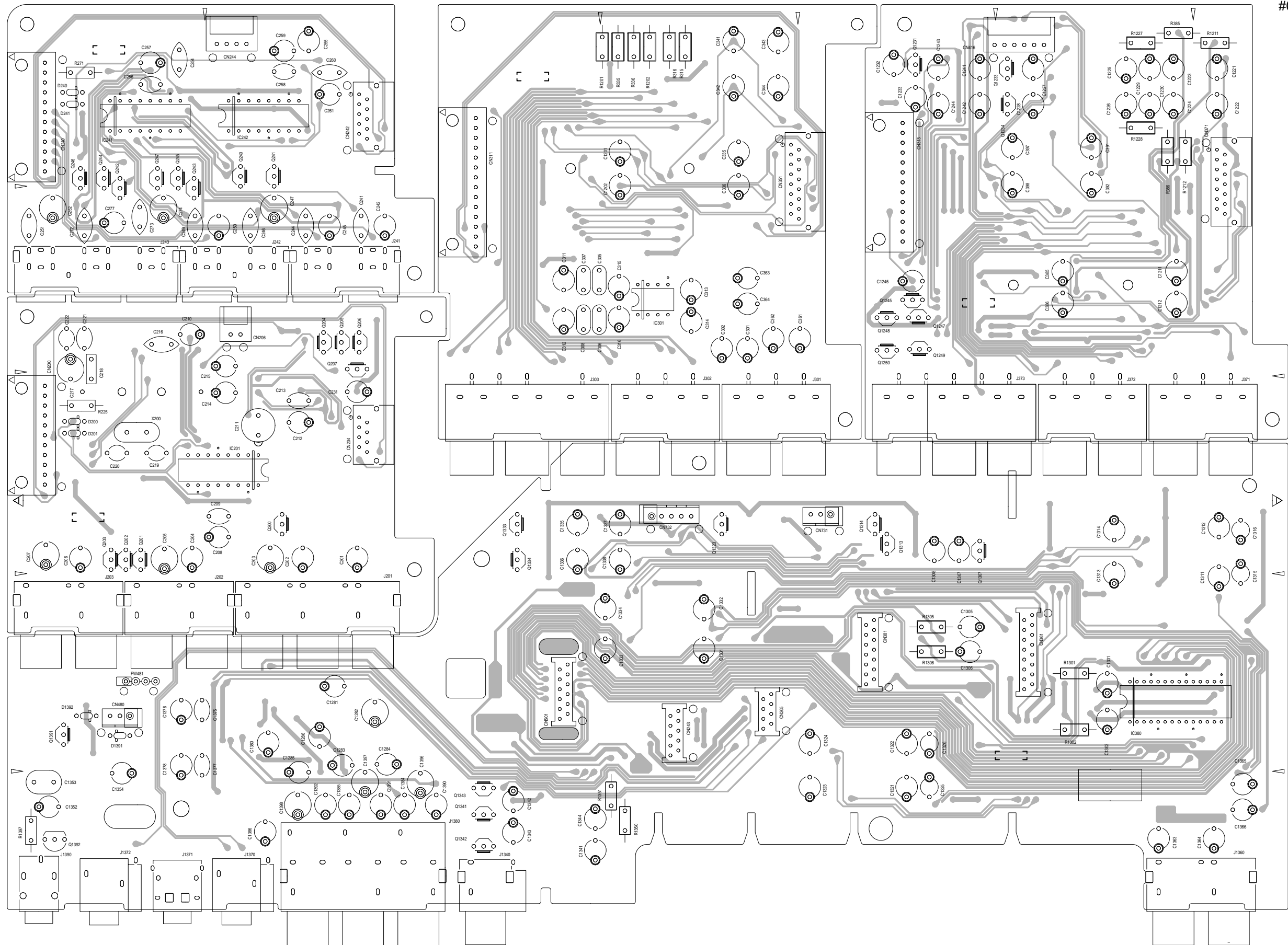
5

4

3

2

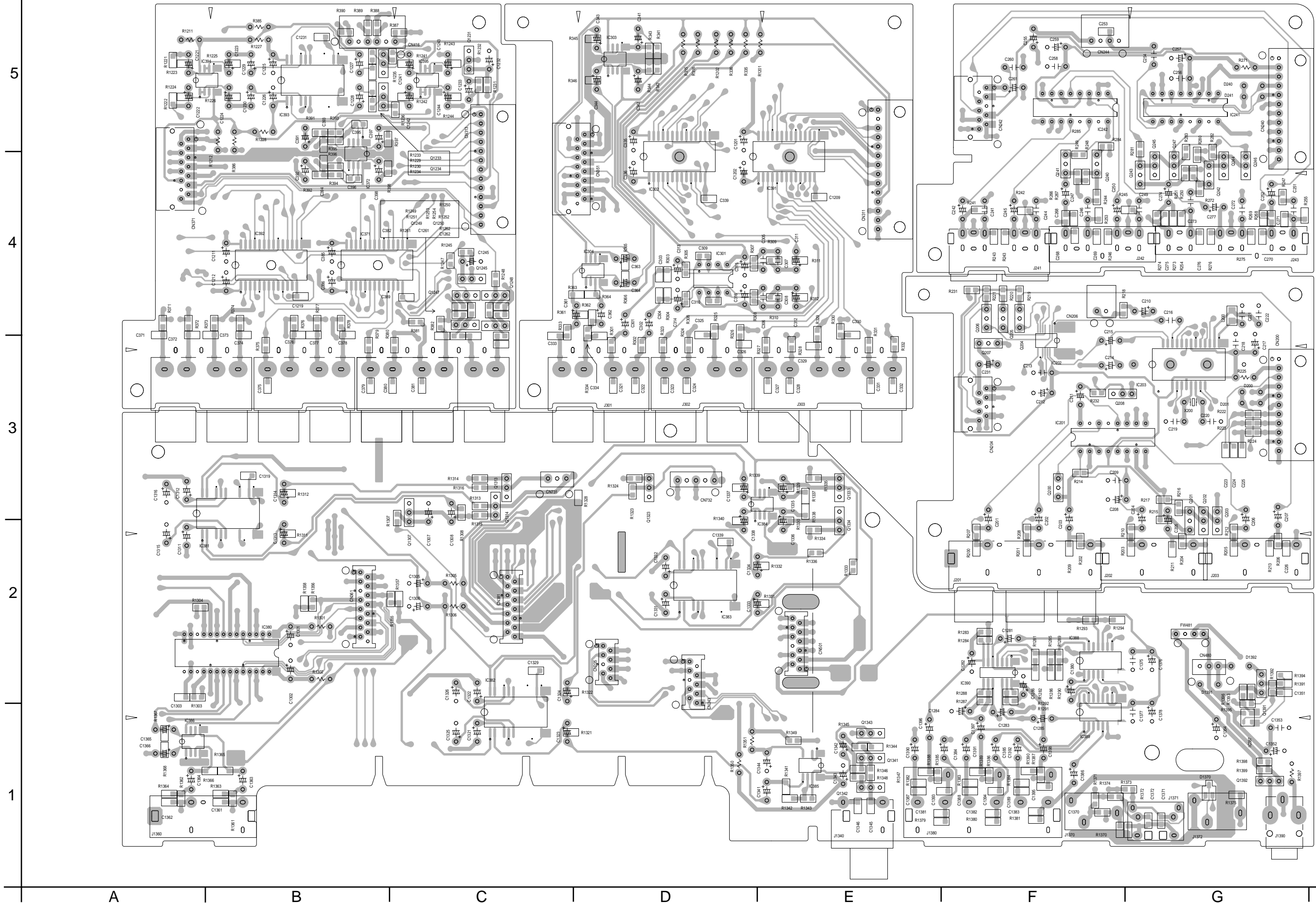
1



A | B | C | 2-20 | D | E | F | G | H

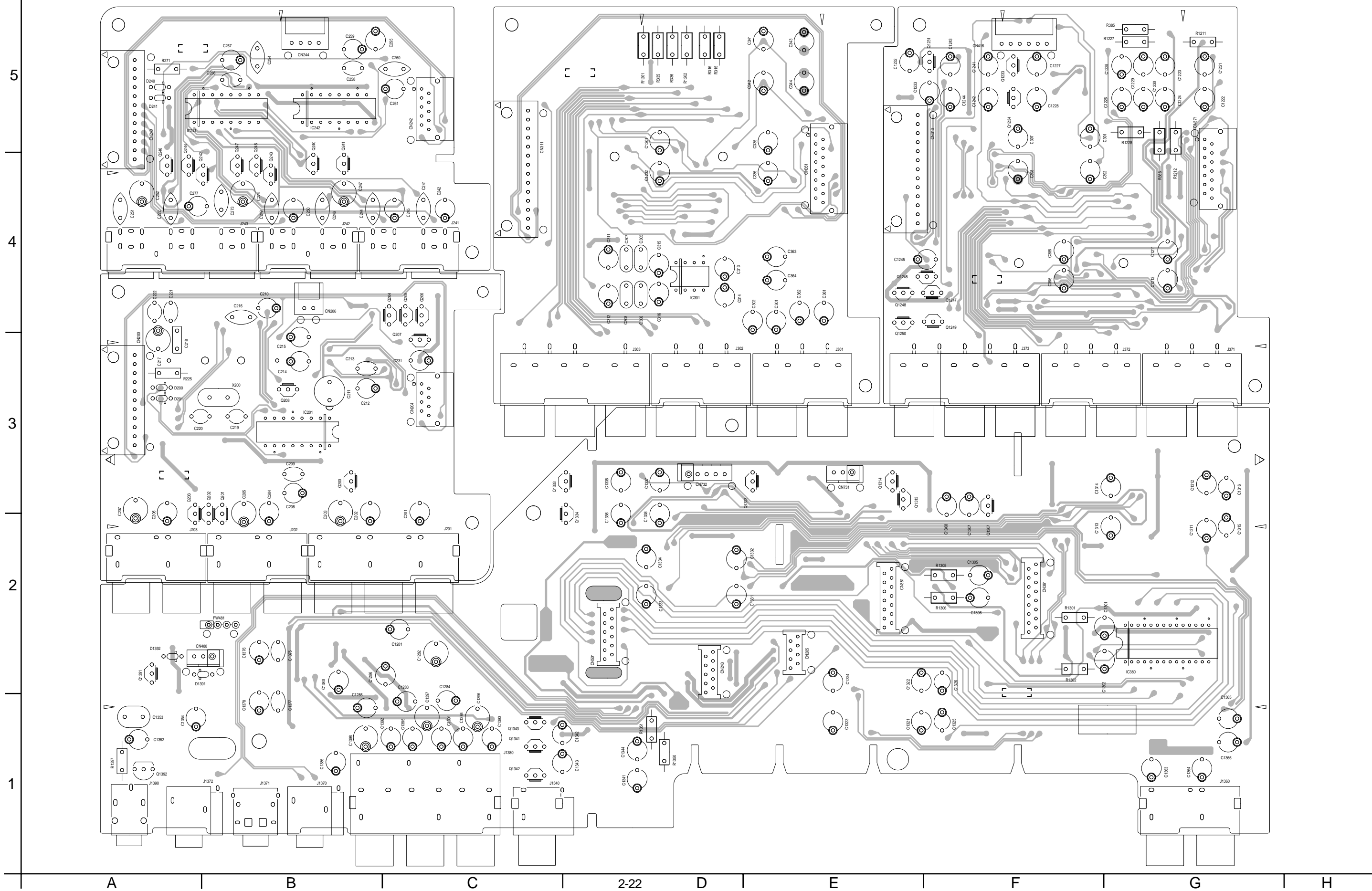
■ Input board (Reverse side)

RX-8012RSL
#801~1300



■ Input board (Forward side)

RX-8012RSL
#801~1300



■ Power board

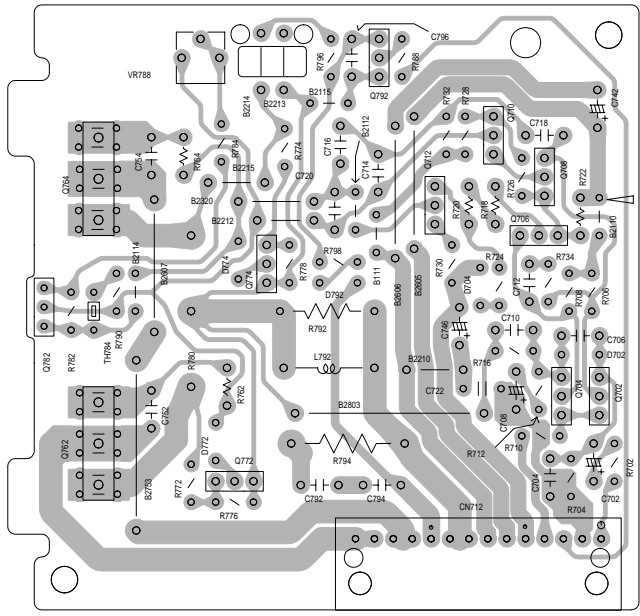
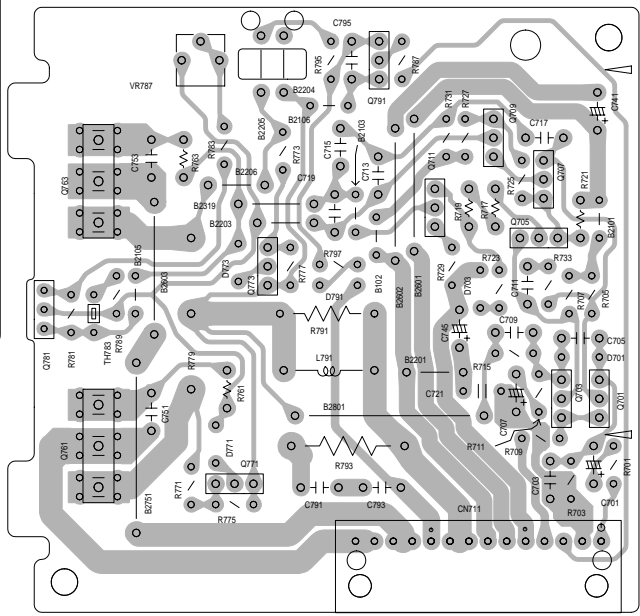
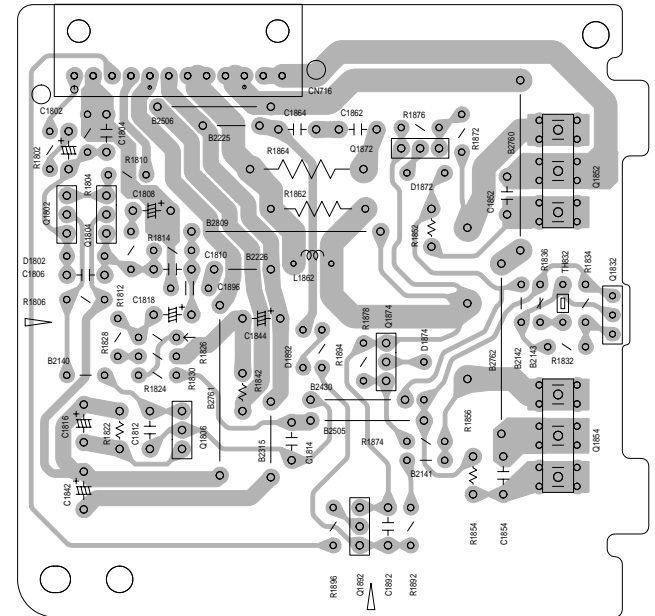
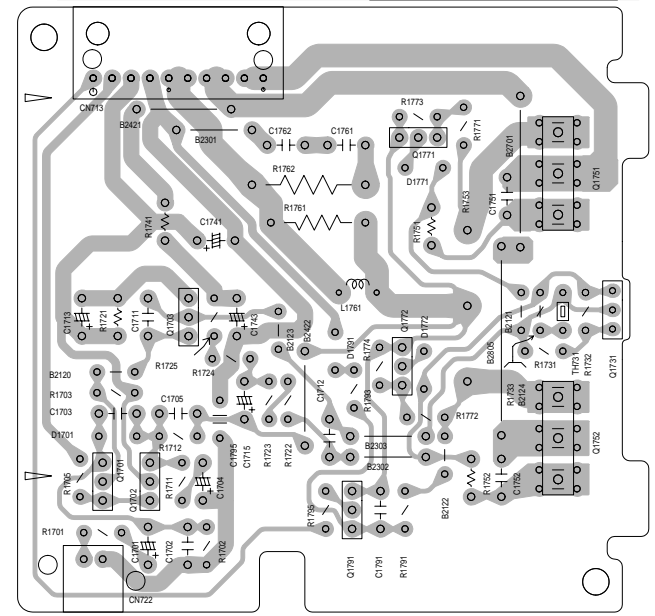
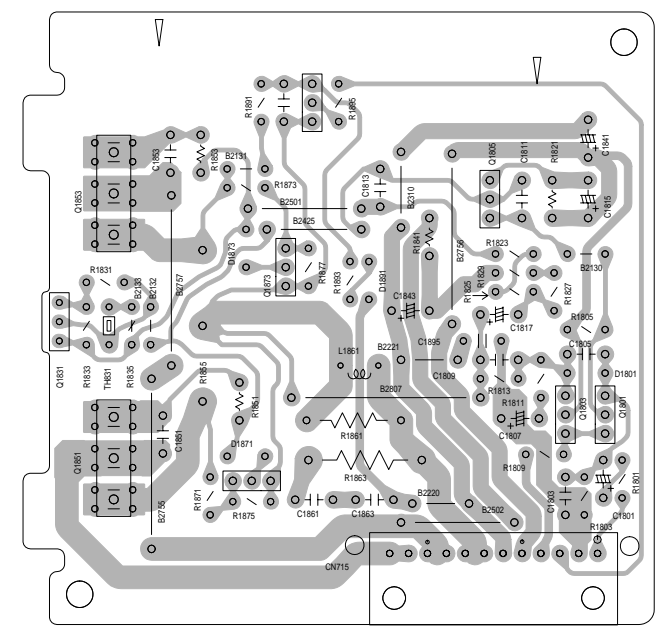
5

4

3

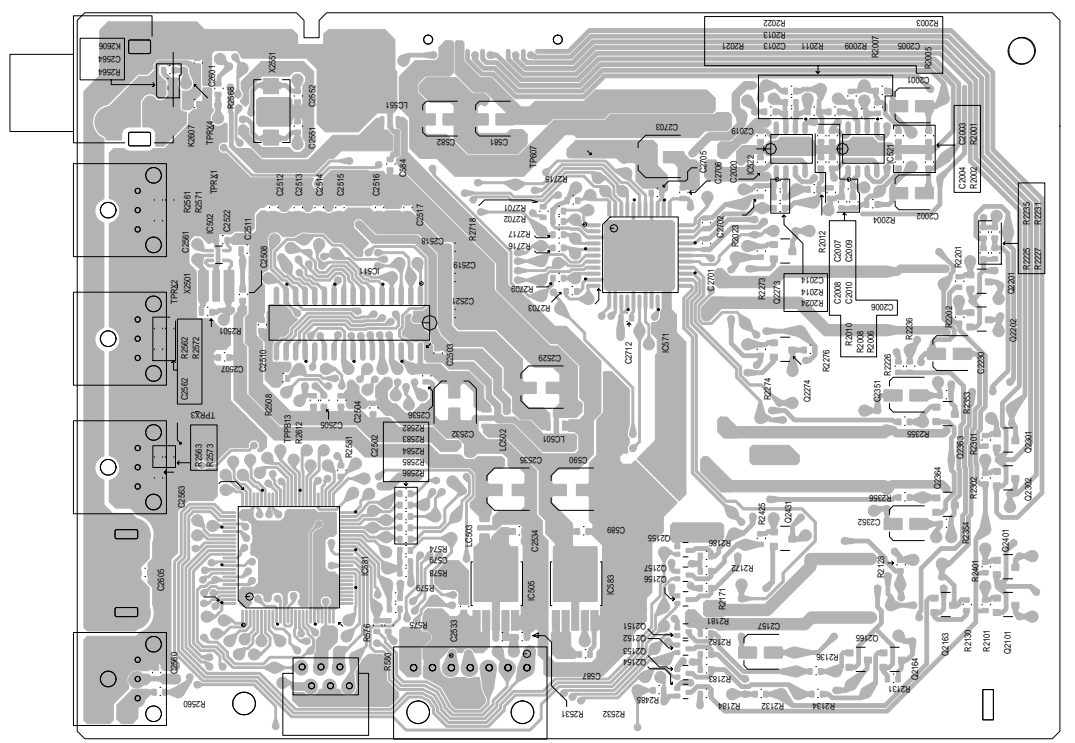
2

1

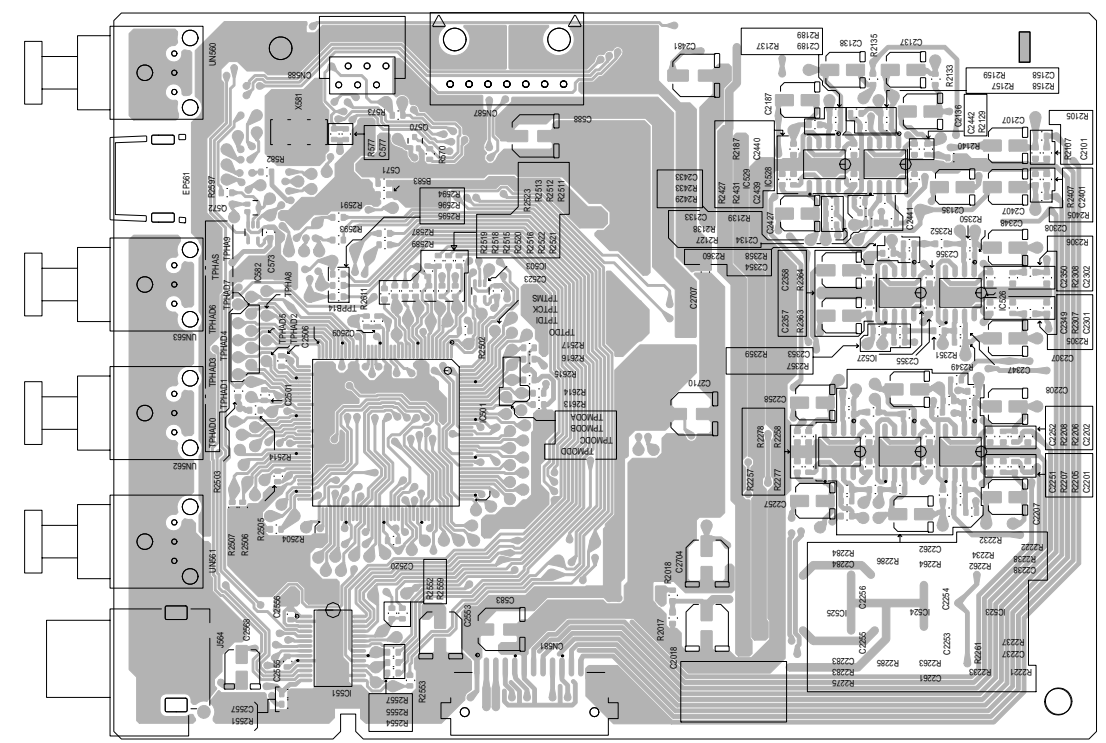


■ DSP board

Reverse side



Forward side



A

B

C

D

E

F

G

■ Tuner board

